

Diesel Injection Parts catalogue 2009



MADE IN ITALY



LETTER *of* INTRODUCTIONS

This catalogue is dedicated to:

Our numerous Friends, to support them in their daily work. The few Unconcerned ones, to awake their interest in our products. Our Competitors, for the spur to do more and more they gave us during these years.

Questo catalogo è dedicato:

Ai nostri numerosi Amici, per supportarli nel loro quotidiano lavoro. A quei pochi che non ci conoscono, per svegliare l'interesse nei nostri prodotti. Ai nostri Concorrenti, per il loro continuo stimolo a migliorarci.

Ce catalogue est dédié:

À nos nombreux Amis, pour les aider dans leur travail quotidien. Aux personnes qui ne nous connaissent pas, pour éveiller leur intérêt vers nos produits. À nos Compétiteurs, pour nous stimuler continuellement à nous améliorer.

Este catalogo lo dedicamos a:

Nuestros numerosos Amigos, para ayudarles en su trabajo cotidiano. Las pocas personas que no nos conocen, para despertar su interés en nuestros productos. Nuestros Competidores por que siempre nos da nel estímulo para mejorarnos.

Dieser Katalog widmen wir an:

Unseren vielen Freunden, um ihnen Hilfe bei ihrer täglichen Arbeit anzubieten. Den wenigen Leuten, die uns noch nicht kennen, um ihre Interesse an unseren Produkten zu wecken. Unseren Konkurrenten, die uns immer wieder anspornen, immer besser zu werden.



STRATEGY and VISION



Experience

A thirty-five year presence on international markets allows Seven Diesel and their staff to grow and to acquire knowledge to solve every problem and offer the best to our valued customers in terms of products and services.



Range of products.

We now offer over 3.000 different spares of which some 2.000 part numbers are nozzles for automotive and marine applications. It is available a complete range of products that includes electrical spare parts such as solenoids, glow plugs and thermostarters



Quality controls.

Buying cheap nozzles is a temporary business, but a product controlled like ours is safer and it is the basis of a long and profitable business cooperation. All our nozzles are tested, but EDM nozzles must pass also the flow rate test.



Warehouse.

If you are looking for small (6-24 pcs) or medium (36-120 pcs) quantities of our fast movers these are most probably available from our stock at all times. Our warehouse, and our flexible production, can satisfy the enquiry of our costumers in the shortest time possible



Technologies.

Since 1974 Seven Diesel is following the street of the continuous investment in new technologies, not only improving our machine tools, but also for the test and the marking of our items.



Services.

A high standard quality product is no more enough and for this reason Seven Diesel is increasing and improving its collateral services making them efficient like its products. New web site, newsletter and fairs bring Seven Diesel closer to its Customers.



Environmentally friendly.

Low prices do not care about nature and Seven Diesel decided many year ago to work respecting the environment, recycling materials like plastic, glass, papers and with a correct removal of our industrial refuses.



NOZZLE HOLDER AND PARTS

PORTAINIETTORI E RICAMBI - PORTE-INJECTEUR ET PIÈCES DE RECHARGE
 PORTATOVERAS Y PIEZAS DE REPUESTO - DÜSENHALTER UND ERSATZTEILE



Nozzle Holder Portainiettori Porte-Injecteur Portatoveras Düsenhalter	8	Injector Heat Shield Sleeve Bussole Di Isolamento Termico Douille Pare-Chaleur Tubo De Protección Contra El Calor Wärmeschutzhülse	11	Pressure Spring Molla Di Pressione Ressorts Poussoir Resorte De Compresión Druckfeder	13
Pressure Spindles Perni Di Pressione Tiges Poussoir Perno De Presión Druckbolzen	9	Injector Thermal Washer Rosette Di Tenuta Disque D'injecteur Par E-Chaleur Anillo De Protección Contra El Calor Wärmeschutzscheibe	12		
Nozzle Spacer Rosette Intermedie o Distanziali Joint D'injecteur Arandela De Tobera Düsenscheibe	10	Nozzle Retaining Nut Dado Di Serraggio Ecrous D'injecteur Tuerca De Tensión De Tobera Düsenspannmutter	13		

Important notice: All the parts herein are manufactured by Seven Diesel S.p.A.. Other manufacturer's names, symbols, code numbers are quoted for reference purposes only and do not imply that any part listed in this catalogue is the product of these manufactures.

NOZZLE HOLDER

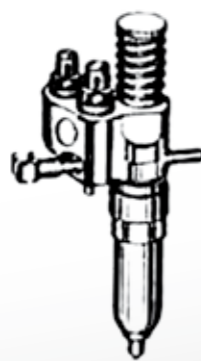
8



OUR REF	STAMPING	PART NUMBER	FIG
BOSCH			
39312	KBEL83S 35	0431 213 982	1
39318	KBEL98P 74	0431 113 969	1
39330	KBEL100S 31	0431 214 991	1
39364	KBEL108P 51	0431 114 987	1
39379	KBEL109P 11/13	0431 114 996	1
39380	KBEL109S 6/13	0431 214 997	1
39407	KBEL117P 7/4	0431 114 997	1
39436	KCA30S 36/4	0430 211 048	1
39442	KCA17S 42	0430 211 052	1
39553	KD43SA 53/13	0430 221 031	1
39574	KDAL74S 21/19	0430 232 013	1
39580	KDAL80S 42	0430 233 018	1
39599	KDEL82P 7	0430 133 994	1
39600	KDEL82P 23	0430 133 981	1
39613	KDEL97P 13	0430 133 989	1
39652	0432 231 775	with DLLA150S 935	1
39654	0432 291 654	with DLLA124S 1001	1
39655	0432 291 655	with DLLA136S 1000	1
DEUTZ-FAHR			
39150	213 7571	with DLLA149S 774	1
39158	214 414	with DN12SD 12	1
GM			
39916	522 8760	Injector Assy N60	2
39923	522 8770	Injector Assy N70	2
39943	522 8773	Injector Assy N45	2
39944	522 8774	Injector Assy M50	2
39947	522 8777	Injector Assy N75	2
39950	522 8780	Injector Assy N80	2
39953	522 8783	Injector Assy N50	2
39955	522 8785	Injector Assy N55	2
39958	522 8790	Injector Assy N90	2
39959	522 8795	Injector Assy M95	2
39960	522 8900	Injector Assy N65 BT	2
39964	522 9180	Injector Assy 9280	2
39968	522 9345	Injector Assy C45	2
39970	522 9360	Injector Assy C60	2
39973	522 9365	Injector Assy C65	2
39975	522 9395	Injector Assy 9295	2
39976	522 9400	Injector Assy 9285	2
39977	522 9405	Injector Assy 9290	2
39978	522 9410	Injector Assy 9200	2
39980	522 9625	Injector Assy 9A85	2
39983	522 9630	Injector Assy 9A90	2
39988	522 9695	Injector Assy 7C75	2
39989	522 9820	Injector Assy 7E75	2



1

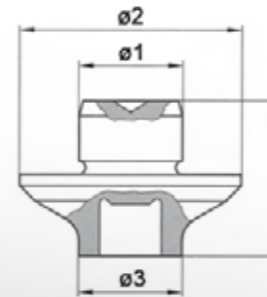


2

PRESSURE SPINDLE

9

OUR REF	STAMPING	NOZZLE HOLDER	Ø1	Ø2	Ø3	I	FIG
SUITABLE FOR BOSCH							
30451	2433 120 127	KBEL...P., KDEL...P.	4,7	9,0	-	4,6	1
304511	2433 124 137	KBA...S., KCA...S., KDAL...S..	5,5	11,3	5,0	10,4	1
304513	2433 124 161	KCA...S..	5,1	11,0	5,0	6,7	1
304516	2433 124 306	KBEL...P., KDEL...P.	4,6	9,0	3,8	6,15	1
30452	2433 124 376	KBEL...P., KDEL...P.	3,9	8,0	-	6,0	1
304521	2433 124 379	KBEL...S., KDEL...S..	4,4	9,4	5,0	6,9	1
304522	2433 124 380	KCA...S..	4,1	9,4	5,0	6,9	1
304524	2433 124 388	KBEL...P., KDEL...P.	4,7	9,0	3,8	6,2	1
304526	2433 124 446	KBAL...P., KDAL...P.	3,1	7,2	3,8	6,0	1



1



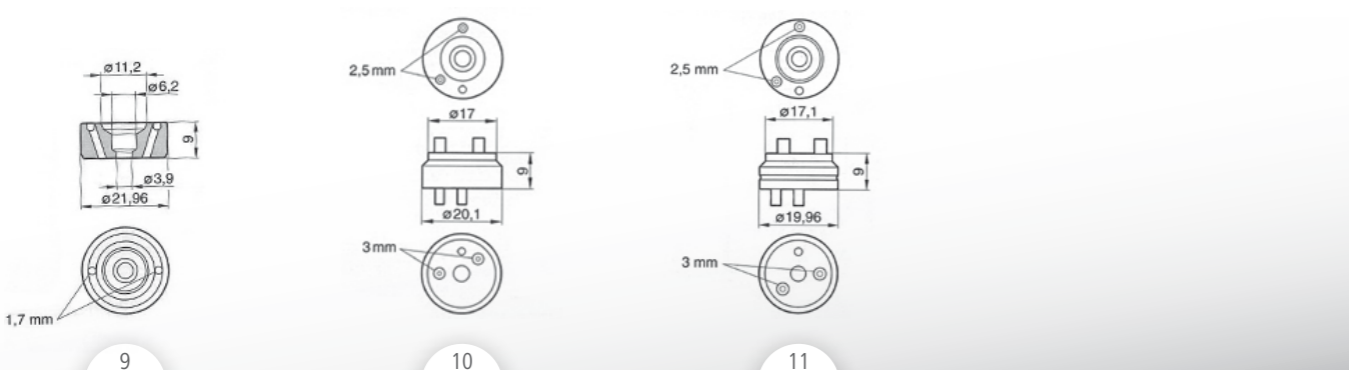
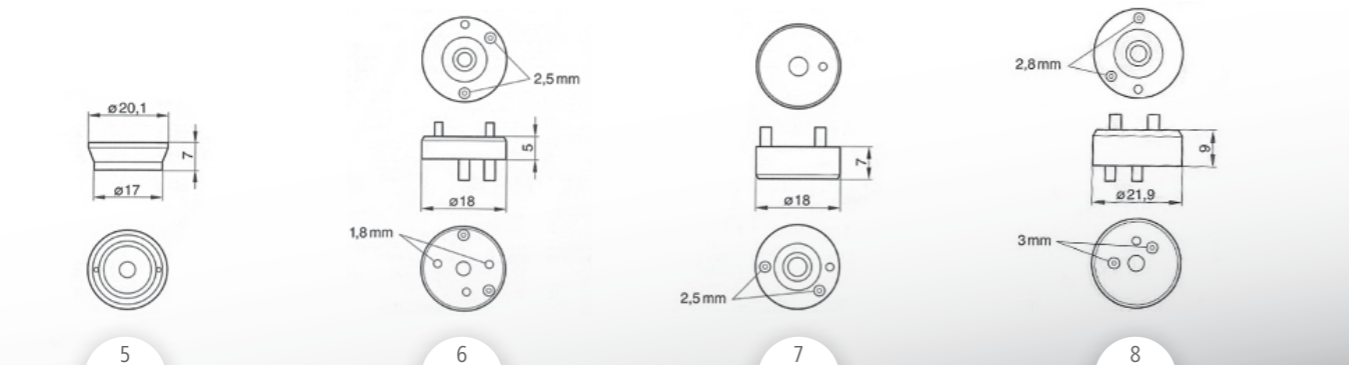
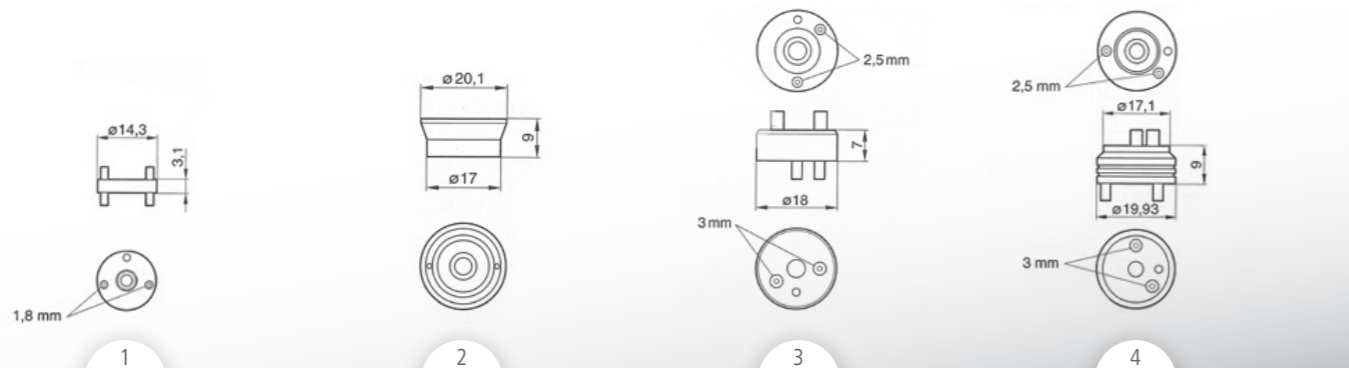
NOZZLE SPACER

OUR REF STAMPING NOZZLE HOLDER FIG



SUITABLE FOR BOSCH

30447	2430 134 023	KBAL, KDAL	1
304472	2430 136 031	KBA, KCA, KDA	2
304474	2430 136 085	KBEL, KDEL	3
304476	2430 136 133	KBAL	4
304478	2430 136 145	KCA	5
30448	2430 136 166	KBEL, KDEL	6
304481	2430 136 167	KBE	7
304483	2430 136 191	KDAL	8
304485	2430 136 197	KCA	9
304487	2430 136 202	KBAL, KDAL	10
304489	2430 136 206	KBAL, KBA	11
304491	2430 136 212		
304497	2430 136 221		

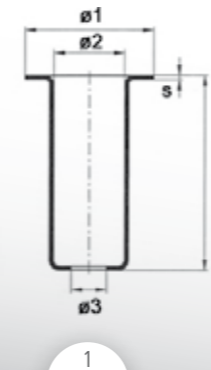


INJECTOR HEAT SHIELD SLEEVE

OUR REF STAMPING N. HOLDER Ø1 Ø2 Ø3 I S MATERIAL FIG

SUITABLE FOR BOSCH

30450	2430 422 002	KDAL	21,0	9,3	9,0	17,3	2,0	Copper	1
304503	2430 422 004	KBEL, KBL	15,5	9,5	6,2	24,6	0,5	Stainless Steel	1
304505	2430 422 005	KBEL, KBL	16,5	9,5	6,2	25,0	0,5	Stainless Steel	1
304507	2430 422 011	KBEL	10,5	9,5	6,2	25,0	0,5	Copper Plated	1
304509	2430 422 019	KBEL	9,8	-	7,1	17,3	0,5	Copper	1



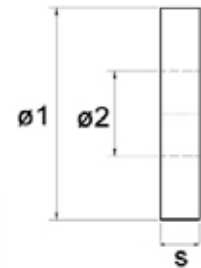
INJECTOR THERMAL WASHER

12

OUR REF STAMPING NOZZLE HOLDER Ø1 Ø2 S MATERIAL FIG



SUITABLE FOR BOSCH							
30445	2430 100 048	KBAL, KBL	19,3	9,7	1,6	Copper	1
304451	2430 105 009	KBAL, KDAL	15,0	7,3	1,5	Copper	1
304452	2430 105 010	KCA	20,4	15,7	2,0	Copper	1
304453	2430 105 011	KBA, KC, KD	21,5	15,7	2,0	Copper	1
304454	2430 105 012	KB, KBA, KD	19,3	14,3	2,0	Copper	1
304455	2430 105 020	KBAL...S., KBEL...S..	18,8	9,7	2,0	Nickel Plated	1
304456	2430 105 021	KBAL	16,0	9,7	2,0	Copper	1
304457	2430 105 022	KD	22,6	17,6	3,3	Copper	1
304458	2430 105 023	KDL	15,5	9,3	2,0	Copper	1
304459	2430 105 026	KBAL...P..	15,0	9,2	1,5	Copper	1
30446	2430 105 027	KB, KBL	25,9	22,2	1,5	Copper	1
304461	2430 105 035	KBEL	15,0	7,3	2,0	Copper	1
304462	2430 105 042	KBAL, KDAL	15,0	7,3	2,5	Copper	1
304463	2430 105 044	KCA	21,1	17,4	2,3	Copper	1
304464	2430 105 046	KBEL	15,0	8,3	2,0	Copper	1
304465	2430 105 049	KBEL	15,1	7,0	1,5	Copper	1



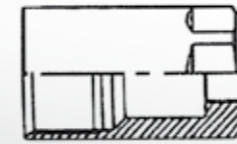
1

NOZZLE RETAINING NUT

13

OUR REF SUITABLE FOR STAMPING NOTE FIG

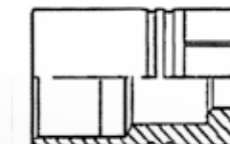
20237	Delphi	7008-187		
20272	Delphi	7008-902		
304528	Bosch	2433 314 042		1
304530	Bosch	2433 314 153		2
304538	Bosch	2433 349 458		3
39906	GM	522 8601		



1



2



3



PRESSURE SPRING

OUR REF SUITABLE FOR STAMPING NOTE FIG

20830	Delphi	7169-539	Spring for Volvo FH12 EUI	1
304556	Bosch	2434 619 017	Spring	1
304558	Bosch	2434 619 040	Spring	1
304559	Bosch	2434 619 047	Spring	1
3045591	Bosch	2434 619 048	Spring	1



1



ELEMENTS

POMPANTI – ELEMENTS – ELEMENTOS – PUMPENELEMENTE



SUITABLE FOR:

American Bosch	16	Denso	19	Lucas-Bryce	20
Belarus-Kamaz	16	Fiat	19	Lucas-Simms	20
Bosch	16	Ford-Navistar	19	Motorpal	20
Caterpillar	18	F&M	19	Sigma	20
Delphi	18	GM	19	Zexel	20

Important notice: All the parts herein are manufactured by Seven Diesel S.p.A.. Other manufacturer's names, symbols, code numbers are quoted for reference purposes only and do not imply that any part listed in this catalogue is the product of these manufactures.



OUR REF	STAMPING	PART NUMBER	HELIX	Ø	FIG
AMERICAN BOSCH					
89740	BC400616	400616	LH	11,00	
89753	BC76437-3A	76437-3A	LH	11,00	
BELARUS-KAMAZ					
89820	ESB 80	YTH-5 1111410	LH	8,50	
89821	ESB 80 + VSB3	Set 4 pcs.	LH	8,50	
89822	ESB 90		RH+RH	9,00	
89838	T62		RH	10,00	
89850	133-01	133-01-32-55 KAMAZ 1990	LH	9,00	
BOSCH					
80001	PPK 1/1	1418 340 000	LH	7,00	3
80015	PPK 57/1	1418 320 003	LH	6,00	2
80060	EPPK 221S4	1418 405 002	RH	6,00	5
80062	EPPK 221S6	1418 405 004	RH	7,00	5
80074	EPPK 320P4	1418 325 018	LH	6,00	4
80075	EPPK 320P5	1418 325 019	LH	6,50	4
80076	EPPK 320P6	1418 325 020	LH	7,00	4
80077	EPPK 320P7	1418 325 021	LH	7,50	4
80078	EPPK 320P8	1418 325 022	LH	8,00	4
80079	EPPK 320P9	1418 325 023	LH	8,50	4
80080	EPPK 320P10	1418 325 024	LH	9,00	4
80086	EPPK 321P6	1418 425 017	RH	7,00	4
80087	EPPK 321P7	1418 425 018	RH	7,50	4
80088	EPPK 321P8	1418 425 019	RH	8,00	4
80089	EPPK 321P9	1418 425 020	RH	8,50	4
80090	EPPK 321P10	1418 425 021	RH	9,00	4
800941	EPPK 625/8	1418 321 039	LH	8,00	
80105	1418 305 505	1418 305 505	LH-RH	5,00	12
80108	1418 305 518	1418 305 518	LH-RH	5,50	12
80111	1418 305 525	1418 305 525	LH-RH	5,50	12
80112	1418 305 528	1418 305 528	LH	5,50	12
80114	1418 305 540	1418 305 540	LH	5,50	12
80120	1418 320 045	1418 320 045	LH	8,50	4
80143	1418 323 013	1418 323 013	RH	7,50	4
80147	1418 324 020	1418 324 020	RH-LH	8,50	4
80152	1418 325 032	1418 325 032	LH	8,00	4
80156	1418 325 039	1418 325 039	LH	9,50	4
80160	1418 325 077	1418 325 077	LH	8,00	4
80164	1418 325 095	1418 325 095	LH	9,00	4
80165	1418 325 096	1418 325 096	LH	9,00	4
80171	1418 325 103	1418 325 103	LH	9,50	4
80173	1418 325 124	1418 325 124			
80175	1418 325 128	1418 325 128	LH	9,50	4
80179	1418 325 135	1418 325 135	LH	9,00	4
80181	1418 325 137	1418 325 137	LH	9,50	4
80186	1418 325 142	1418 325 142	LH	9,50	4
80189	1418 325 145	1418 325 145	LH	9,00	4
80192	1418 325 156	1418 325 156	LH	9,50	4
80193	1418 325 157	1418 325 157	LH	9,50	4
80194	1418 325 159	1418 325 159	LH	8,00	4
80200	1418 325 895	1418 325 895	LH	9,00	4
80202	1418 325 898	1418 325 898	LH	8,00	4
802117	1418 415 051	1418 415 051	RH	10,00	14
80212	1418 415 066	1418 415 066	RH	10,00	14
802124	1418 415 081	1418 415 081			14
802125	1418 415 082	1418 415 082	RH	10,00	14
802129	1418 415 181	1418 415 181			14
80215	1418 421 024	1418 421 024	RH	8,50	4
80222	1418 421 046	1418 421 046	RH	7,50	4
80249	1418 425 051	1418 425 051	RH	9,50	4
80256	1418 425 081	1418 425 081	RH	9,50	4
80273	1418 425 099	1418 425 099	RH	8,00	4



OUR REF	STAMPING	PART NUMBER	HELIX	Ø	FIG
BOSCH					
80281	1418 425 109	1418 425 109	RH	9,50	4
80294	1418 425 124	1418 425 124	RH	9,50	4
80325	1418 450 003	1418 450 003	RH	10,00	10
80326	1418 450 004	1418 450 004	RH+RH	11,00	10
80327	1418 450 005	1418 450 005	RH+RH	12,00	10
80337	2418 305 007	2418 305 007	LH	5,50	12
80340	2418 305 010	2418 305 010	LH	6,00	12
80354	2418 325 004	2418 325 004	LH	10,00	4
80369	2418 403 002	2418 403 002	RH	5,50	12
80400	2418 450 000	2418 450 000	RH	10,00	10
80402	2418 450 002	2418 450 002	RH	12,00	10
80411	2418 450 011	2418 450 011	RH	10,00	10
80417	2418 450 017	2418 450 017	RH	9,00	10
80425	2418 450 025	2418 450 025	RH	11,00	10
80430	2418 450 030	2418 450 030	RH	11,00	10
80432	2418 450 032	2418 450 032	RH+RH	11,00	10
80434	2418 450 034	2418 450 034	RH	11,00	10
80440	2418 450 040	2418 450 040	RH	10,00	10
80448	2418 450 048	2418 450 048	RH+RH	11,00	10
80451	2418 450 051	2418 450 051	RH	11,00	10
80466	2418 450 066	2418 450 066	RH	11,00	10
80467	2418 450 067	2418 450 067	RH+RH	11,00	10
80469	2418 450 069	2418 450 069	RH	10,00	10
80470	2418 450 070	2418 450 070	RH+RH	12,00	10
80481	2418 450 081	2418 450 081	RH+RH	11,00	10
80495	2418 450 095	2418 450 095	RH+RH	11,00	10
80496	2418 450 096	2418 450 096	RH+RH	12,00	10
80504	2418 450 104	2418 450 104	RH	11,00	10
80508	2418 450 108	2418 450 108	RH+RH	11,00	10
80512	2418 450 112	2418 450 112	RH	11,00	10
80514	2418 450 114	2418 450 114	RH	12,00	10
80516	2418 450 116	2418 450 116	RH	11,00	10
80552	2418 451 002	2418 451 002	RH	11,00	10
80602	2418 455 002	2418 455 002	RH+RH	12,00	10
80612	2418 455 012	2418 455 012	RH+RH	12,00	10
80616	2418 455 016	2418 455 016	RH+RH	11,00	10
80622	2418 455 022	2418 455 022	RH	11,00	10
80629	2418 455 029	2418 455 029	RH+RH	12,00	10
80634	2418 455 034	2418 455 034	RH+RH	12,00	10
80637	2418 455 037	2418 455 037	RH	12,00	10
80638	2418 455 038	2418 455 038	RH+RH	12,00	10
80640	2418 455 040	2418 455 040	RH+RH	12,00	10
80655	2418 455 055	2418 455 055	RH+RH	11,00	10
80663	2418 455 063	2418 455 063	RH	10,00	10
80669	2418 455 069	2418 455 069	RH+RH	12,00	10
80671	2418 455 071	2418 455 071	RH	11,00	10
80672	2418 455 072	2418 455 072	RH	12,00	10
80674	2418 455 074	2418 455 074	RH+RH	12,00	10
80690	2418 455 090	2418 455 090	RH+RH	12,00	10
80691	2418 455 091	2418 455 091	RH+RH	12,00	10
80695	2418 455 095	2418 455 095	RH+RH	12,00	10
80697	2418 455 097	2418 455 097	RH+RH	12,00	10
80702F	2418 455 122	2418 455 122	RH+RH	12,00	15
80705F	2418 455 129	2418 455 129	RH+RH	12,00	15
80706F	2418 455 130	2418 455 130	RH+RH	12,00	15
80708F	2418 455 134	2418 455 134	RH+RH	12,00	15
80709F	2418 455 135	2418 455 135	RH+RH		15
80718F	2418 455 165	2418 455 165	RH+RH	12,00	15
80719F	2418 455 166	2418 455 166	RH+RH	13,00	15
80732F	2418 455 182	2418 455 182	RH+RH	13,00	15
80736F	2418 455 196	2418 455 196	RH+RH	12,00	15
80752	2418 455 202	2418 455 202	RH+RH	12,00	10
80766	2418 455 226	2418 455 226	RH+RH	12,00	10

ELEMENTS



OUR REF	STAMPING	PART NUMBER	HELIX	Ø	FIG
BOSCH					
80769	2418 455 229	2418 455 229	RH+RH	12,00	10
80771	2418 455 249	2418 455 249	RH+RH	12,00	10
807714	2418 455 254	2418 455 254	RH+RH		10
807719F	2418 455 308	2418 455 308	RH+RH	12,00	15
80772F	2418 455 309	2418 455 309	RH+RH	12,00	15
80773F	2418 455 324	2418 455 324	RH+RH		15
80775F	2418 455 325	2418 455 325	RH+RH		15
80778F	2418 455 333	2418 455 333	RH+RH	13,00	15
80780F	2418 455 338	2418 455 338	RH+RH	12,00	15
80783F	2418 455 356	2418 455 356	RH+RH		15
80790F	2418 455 508	2418 455 508	RH+RH	12,00	15
80792F	2418 455 518	2418 455 518	RH+RH	12,00	15
807934F	2418 455 548	2418 455 548	RH+RH		15
80803	3418 301 003	3418 301 003	LH	8,00	9
80806	3418 301 006	3418 301 006	LH	7,50	9
80820	3418 303 000	3418 303 000	RH	6,50	9
80822	3418 303 002	3418 303 002	LH	7,00	5
80823	3418 303 003	3418 303 003	LH	8,00	9
80825	3418 303 005	3418 303 005	RH	8,00	9
80844	3418 305 004	3418 305 004	LH	7,00	5
80849	3418 305 009	3418 305 009	LH	7,50	9
80883	3418 405 003	3418 405 003	RH	7,00	5
80884	3418 405 004	3418 405 004	RH	7,00	5
80885	3418 405 005	3418 405 005	RH	7,00	5
80894	3418 424 002	3418 424 002	RH	9,00	4
80896	3418 425 006	3418 425 006	RH	9,00	4
80908	9401 083 503	9401 083 503	LH	9,50	4
80916	9401 087 616	9401 087 616	RH+RH	12,00	10
80983	F000 401 157	F000 401 157	LH+LH	11,00	10
80990	F000 401 458	F000 401 458	LH+LH	11,00	10
CATERPILLAR					
86000	108 2104				
86001	108 6631			11,00	
86003	142 2818				
86005	1P 6400			10,00	
86010	1W 3010			8,50	
86012	1W 6541			9,00	
86015	3S 8336				
86040	4N 4997			10,00	
860405	4P 9830			10,50	
86041	4S 5758			7,00	
86045	4S 7913				
86060	6N 7527			8,00	
86068	7N 1183			10,50	
86070	7N 1220			10,00	
86072	7S 6681			9,00	
86076	7W 0182			10,00	
86077	7W 5929			10,00	
86080	8N 3539			9,00	
86082	8S 3656				
86090	9H 5796			8,00	
86092	9H 5797			8,50	
86092A	9H 5797 Assy	P&B + Valve		8,50	
86095	9L 4102				
DELPHI					
82008	7010-562P	B1.1	LH	7,00	3
82013	7010-562U	B1.4	LH	10,00	3
82015	7010-562X	BX74	LH	7,50	3
82025	7032-83B	BX32	RH	8,00	1
82028	7032-91	BX38	LH	7,00	1
82029	7032-103	BX52	RH	7,50	1

ELEMENTS



OUR REF	STAMPING	PART NUMBER	HELIX	Ø	FIG
DELPHI					
82030	7032-103A	BX66	LH	7,50	1
DENSO					
83077	157.0	090150-1570	RH-LH	9,00	4
83100	214.0	090150-2140	RH	7,00	4
83105	221.0	090150-2210	LH	7,00	4
83107	228.0	090150-2280	LH	6,00	4
83135	260.0	090150-2600	RH	10,00	4
83136	261.0	090150-2610	RH	10,00	4
83145	296.0	090150-2960	RH	9,50	4
83148	299.0	090150-2990	LH	9,50	4
83155	305.0	090150-3050	RH	9,00	4
83170	333.0	090150-3330	RH	9,00	4
83201	1021	090150-1161	RH	5,50	
83205	1151	090150-1151	LH	6,50	4
83215	1790	090150-1790	LH	5,50	
83236	4693	090150-4693	RH	10,00	
83240	4810	090150-4810	RH	9,50	4
83242	4910	090150-4910	LH	10,00	4
FIAT					
84009	PPK 151F3		LH	9,00	3
84010	PPK 151F4		LH	9,50	3
84012	PPK 152F2		RH	8,50	3
84053	EPPK 200F3		LH	8,00	4
84055	EPPK 200F5		LH	9,00	4
84065	EPPK 202F5		LH	9,00	4
84111	PPK 563F11		LH	9,50	11
84114	PPK 573F14		LH	11,00	11
84519	775309	775309	RH+RH	11,00	10
FORD-NAVISTAR					
886000	6000/31 Standard	For AA			17
886001	6001/31 Standard	For AC-BA-BB-BC			17
886060	6060/31 Prime	For AB-AF-BE			17
886061	6061/31 Prime	For AD-AF			17
887100	7100/31 Standard	For BD			17
887160	7160/31 Prime	For BF-BG-BI-BJ-BN-BP			17
887161	7161/31	For OR9349			17
F&M					
89601	FM 3.9	3.9	RH	9,00	
89608	FM 8.3a	8.3a	LH	8,00	
89612	FM 8.4S	8.4S	LH	8,00	
89620	FM 95.16U	9412 363 525	LH	9,50	19
GM					
86513	522 8101	P&B HV8			
86516	522 8126	P&B HV55			
86519	522 8304	P&B HV7			
86522	522 8306	P&B HV6, 6E8, HE6			
86525	522 8378	P&B HV9			
86534	522 8495	P&B 45, S45			
86537	522 8528	P&B S55			
86540	522 8530	P&B 35			
86543	522 8549	P&B S90			
86546	522 8552	P&B 40, S40			
86549	522 8569	P&B S65			
86552	522 8656	P&B N60			
86555	522 8658	P&B N65 white, N75			
86558	522 8661	P&B N80			
86561	522 8668	P&B N55			
86570	522 8682	P&B N70, HN65			

ELEMENTS

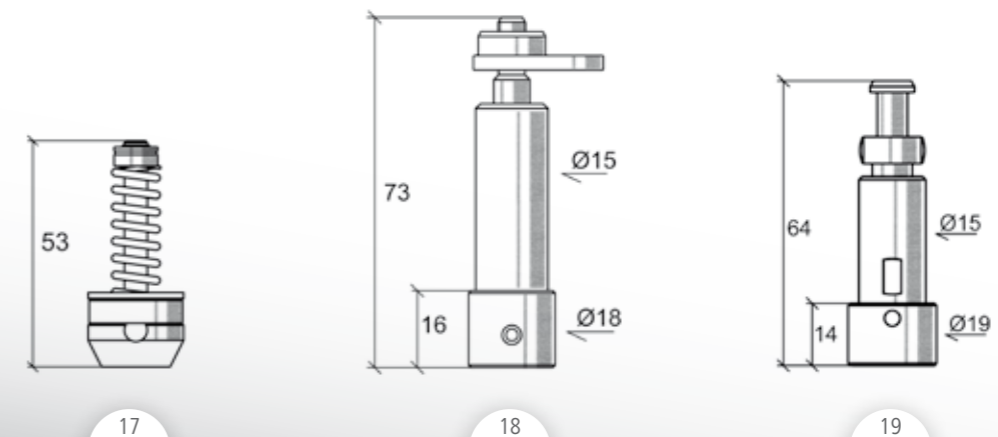
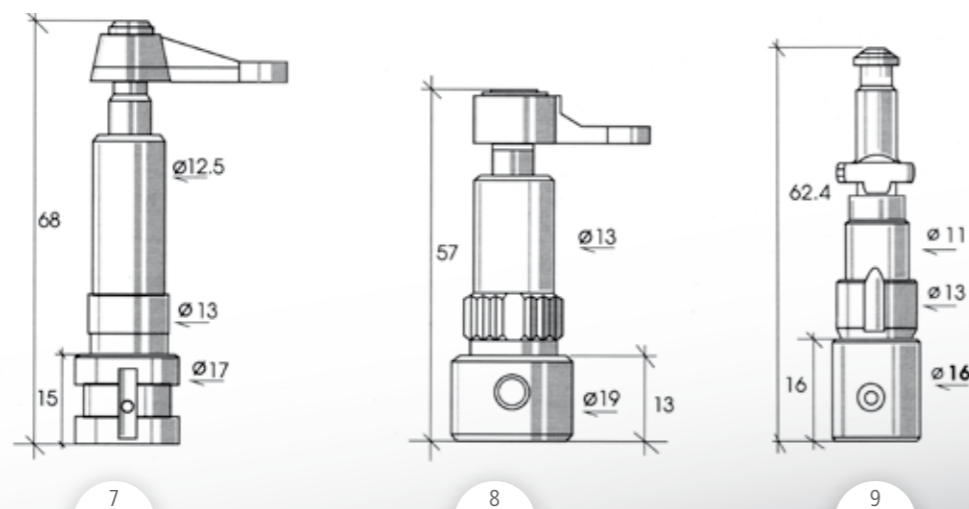
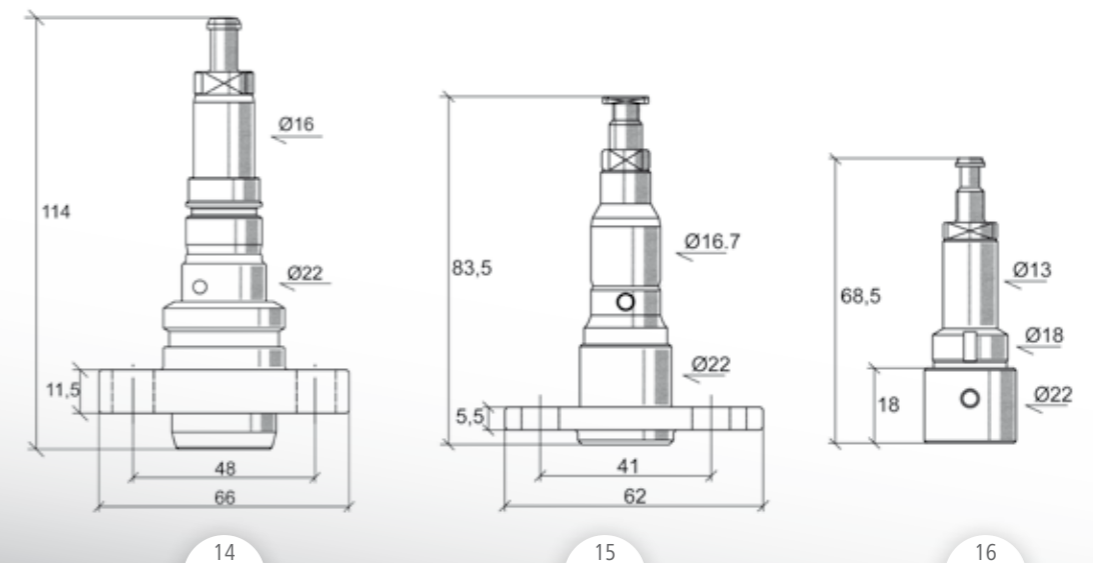
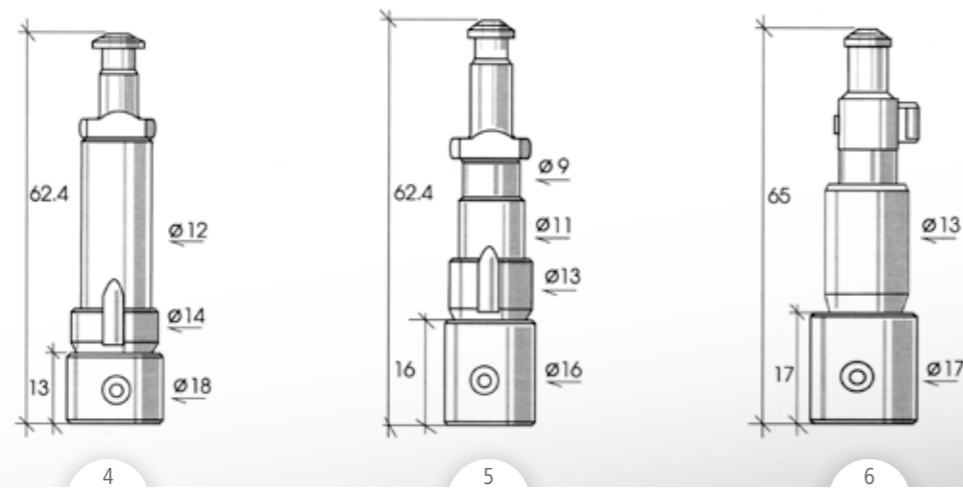
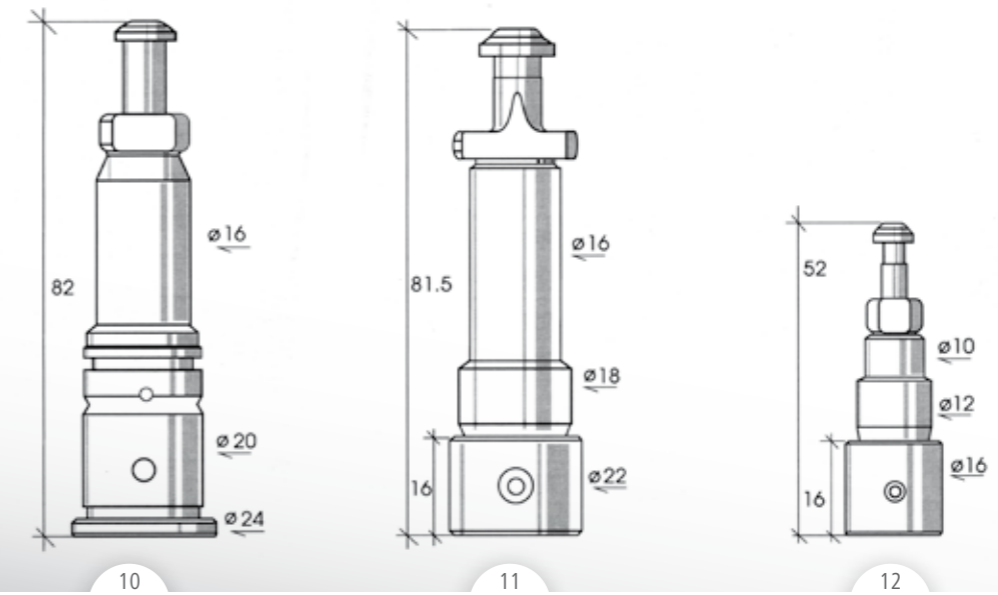
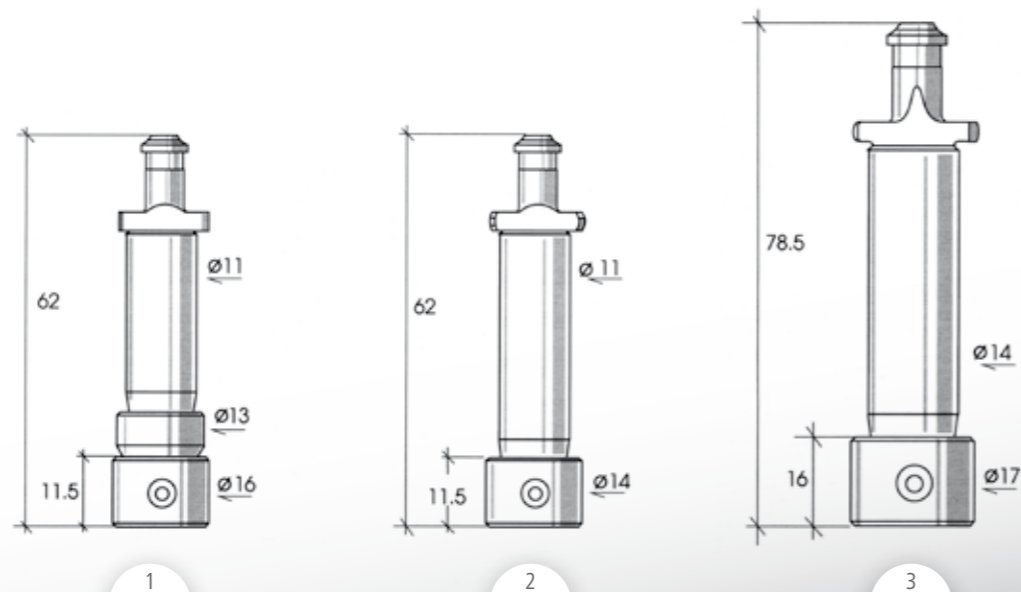


OUR REF	STAMPING	PART NUMBER	HELIX	Ø	FIG
GM					
86573	522 8684	P&B N45, SN45			
86576	522 8691	P&B N40			
86579	522 8749	P&B N50, 71N5			
86580	522 8804	P&B M15, M95			
86582	522 8878	P&B N90			
86585	522 8928	P&B N65 brown			
865852	522 9282	P&B 9275, 9875			
86586	522 9292	P&B 9290, 9A90, 9890			
86587	522 9362	P&B C60			
86588	522 9366	P&B C65			
86592	522 9372	P&B C70			
86613	522 9513	P&B N140			
86657	522 9657	P&B 9225			
86705	522 9705	P&B			
86782	522 9782	P&B 7E65			
86808	522 9808	P&B 7A77			
86814	522 9814	P&B 7E60			
86823	522 9823	P&B 7E55, 7G60			
86828	522 9828	P&B			
86884	522 9884	P&B 7G75			
86912	522 9912	P&B 7G70			
86916	522 9916	P&B 7G65			
LUCAS-BRYCE					
81038	1/559		LH	8,00	6
81107	11/108BC		RH	5,50	1
81115	11/108BK		RH	5,50	1
81120	11/108DC		RH	6,50	1
81124	11/108FB		RH	7,50	1
LUCAS-SIMMS					
85005	PA85905		LH	7,50	7
85440	A503240		RH	7,50	8
85441	A503241		RH	9,00	8
85443	A503243		RH	9,50	8
85573	A503673		LH	8,50	8
85574	A503674		LH	9,00	8
85918	A512505-54		RH	8,50	8
85938	A512506-53		LH	8,50	8
85943	A512506-63		LH	9,00	8
85952	A512506-72		LH	9,50	8
MOTORPAL					
89801	EA8Pg	60400-35	RH	8	
SIGMA					
89508	CMC 80S	CMC80S	RH	8,00	18
89519	CMC 90S	CMC90S	RH	9,00	18
ZEXEL					
83314	P2	134101-1420	RH	10,00	10
83315	P3	134101-1520	RH+RH	11,00	10
83316	P4	134101-1620	RH	11,00	10
83317	P6	134101-1820	RH	11,50	10
83323	P25	134101-3820	RH+RH	12,00	10
83328	P30	134101-4420	RH+RH	12,00	10
83331	P38	134101-5220	RH	11,50	10
83337	P44	134101-5820	RH+RH	12,00	10
83340	P49	134101-6420	RH	12,00	10
83346	P70	134101-8720	RH+RH	11,50	10
83347	P74	134101-9120	RH	11,00	10
83350	P86	134151-0420	RH	12,00	10
83353	P93	134151-1120	RH+RH	12,00	10

ELEMENTS



OUR REF	STAMPING	PART NUMBER	HELIX	Ø	FIG
ZEXEL					
83355	P104	134151-2320	RH+RH	11,00	10
83363	P114	134151-3420	RH	12,00	10
83367	P117	134151-3720	RH+RH	12,00	10
83369	P121	134151-4120	RH+RH	12,00	10
83375	P165	134151-8520	RH	11,00	10
83389	P229	134152-4920	RH+RH	11,50	10
83417	A17	131151-0120	LH+RH	9,00	4
83430	A30	131151-1420	RH	9,50	4
83438	A38	131151-2220	LH	9,50	4
83443X	A43	131151-2720	LH	10,50	16
83444	A44	131151-3220	LH	9,50	4
83452X	A52	131151-3720	LH	10,00	16
83454	A54	131151-3920	RH	10,00	4
83467X	A67	131151-5120	RH	9,00	16
83474	A74	131151-5820	LH	9,50	4
83475	A75	131151-5920	RH	9,00	4
83478X	A78	131151-6220	LH	10,50	16
83489	A89	131151-7320			4
83498X	A98	131151-8120	LH	10,50	16
83503X	A103	131151-8620	LH	10,50	16
83515X	A115	131151-9720	LH	10,00	16
83517	A117	131151-9820	LH	9,50	4
83520	A120	131152-0120	LH	9,00	4
83522	A122	131152-0020	LH	9,50	4
83525	A125	131152-0320	LH	9,00	4
83538	A138	131152-1420	RH	9,00	4
83546	A146	131152-2120	RH	9,50	4
83546X	A147	131153-0520	LH	10,00	16
83557	A157	131152-3020	RH	9,50	4
83558	A158	131152-3120	RH	9,00	4
83560	A160	131152-3320	LH	9,50	4
83561	A161	131152-3420	LH	9,50	4
83562	A162	131152-3520	LH	9,50	4
83568	A168	131152-4020	RH	9,00	4
83572	A172	131152-4320	LH	9,00	4
83577	A177	131152-4820	RH	9,50	4
83580	A180	131152-5020	RH	8,50	4
83583	A183	131152-5320	RH	9,50	4
83588	A188	131152-5620	LH	9,50	4
83604	A204	131152-6820	RH	9,00	4
83610	A210	131152-7320	RH	9,50	4
83620	A220	131152-8020	RH	9,50	4
83622	A226	131152-8520	LH	9,50	4
83625	A235	131152-9320	RH	9,00	4
83628	A274	131154-3220	LH	9,50	4
83632X	A722	131153-4320	LH	10,50	16
836348X	A758	131153-7920	LH	10,50	16
836352X	A768	131153-8920	LH	10,00	16
836355X	A771	131153-9220			16
836358X	A821	131153-8210	LH	10,50	16
83636	K15	140151-1920	RH	6,00	5
836364	K4.50		LH	5,00	
83637	K49	140151-6420	RH	5,00	
836375	K50.4		RH	5,00	
83639	K199	140153-9020	RH	7,50	
83801	B 1	141156-1720	RH	6,50	





DELIVERY VALVES

VALVOLE – SOUPAPES – VALVULAS – DRUCKVENTILE



SUITABLE FOR:

American Bosch	26	EKM	28	Ruston	29
Belarus-Kamaz	26	Fiat	28	Sigma	29
Bosch	26	F&M	28	SKL	29
Caterpillar	27	Lucas-Bryce	28	Stanadyne	30
Delphi	27	Lucas-Simms	28	Sulzer	30
Denso	xx	Motorpal	29	Zexel	30
Deutz-Fahr	xx	OMAP	29		

Important notice: All the parts herein are manufactured by Seven Diesel S.p.A.. Other manufacturer's names, symbols, code numbers are quoted for reference purposes only and do not imply that any part listed in this catalogue is the product of these manufactures.

DELIVERY VALVES

OUR REF	STAMPING	PART NUMBER	Ø
AMERICAN BOSCH			
96650	VA76272-1A		9
VAB44141	VA76189-A		14
VAB44142	VA76196-A		14
BELARUS-KAMAZ			
96701	VSБ 3	16064/A+16065	6
96707	VSБ 7		6
BOSCH			
90004	PVE 30/1	1418 542 006	6
90005	PVE 50/1	1418 502 001	5
90006	PVE 50S5	1418 522 005	5
90007	PVE 64/1	1418 542 018	5
90008	PVE 64/3	1418 542 022	5
90010	PVE 161S1	1418 522 009	6
90011	PVE 161S2	1418 522 011	6
90014	PVE 161P14	1418 522 017	6
90015	PVE 161P16	1418 522 019	6
90026	EPVE 235P6	1418 502 013	6
90027	EPVE 235P7	1418 502 015	5
90028	EPVE 235P8	2418 502 001	5
90029	EPVE 286P1	2418 552 003	7
90030	EPVE 286P2	2418 552 005	7
90031	EPVE 288P1	2418 552 007	8
90032	EPVE 288P2	2418 552 001	8
90033	EPVE 289P1	2418 554 001	7
90034	EPVE 289P2	2418 554 003	7
90041	1418 502 201	1418 502 201	5
90043	1418 502 203	1418 502 203	5
90045	1418 512 203	1418 512 203	6
90047	1418 522 047	1418 522 047	6
90053	1418 522 053	1418 522 053	6
90055	1418 522 055	1418 522 055	6
90057	1418 522 057	1418 522 057	6
90061	1418 522 061	1418 522 061	6
90067	1418 522 067	1418 522 067	6
90075	1418 522 201	1418 522 201	6
90077	1418 522 205	1418 522 205	5
90085	1418 524 015	1418 524 015	6
90100	1468 522 000	1468 522 000	5
90129	1468 522 029	1468 522 029	5
90205	1468 522 205	1468 522 205	5
90249	1468 522 249	1468 522 249	5
90251	1468 522 251	1468 522 251	5
90258	1468 522 258	1468 522 258	5
90273	1468 522 273	1468 522 273	5
90298	1468 522 298	1468 522 298	5
90303	1468 532 203	1468 532 203	5
90315	1468 532 215	1468 532 215	5
90333	1468 532 233	1468 532 233	5
90334	1468 532 234	1468 532 234	5
90338	1468 532 238	1468 532 238	5
90357	1468 532 257	1468 532 257	5
90358	1468 532 278	1468 532 278	5
90360	2418 502 003	2418 502 003	5
90385	2418 552 015	2418 552 015	7
90387	2418 552 019	2418 552 019	8
90388	2418 552 021	2418 552 021	8
90390	2418 552 027	2418 552 027	7
90392	2418 552 029	2418 552 029	8
90395	2418 552 035	2418 552 035	7
90397	2418 552 039	2418 552 039	8
90399	2418 552 049	2418 552 049	7



DELIVERY VALVES

OUR REF	STAMPING	PART NUMBER	Ø
BOSCH			
90401	2418 552 051	2418 552 051	7
90402	2418 552 053	2418 552 053	7
90403	2418 552 065	x flange P&B 122/129/134	8
90404	2418 552 069	x flange P&B 122/129/134	8
904045	2418 552 073	2418 552 073	7
904048	2418 552 103	2418 552 103	8
904049	2418 552 145	2418 552 145	8
90405	2418 554 005	2418 554 005	6
90407	2418 554 007	2418 554 007	7
90409	2418 554 009	2418 554 009	7
90411	2418 554 011	2418 554 011	7
90413	2418 554 013	2418 554 013	7
90417	2418 554 017	2418 554 017	7
90427	2418 554 027	2418 554 027	8
90429	2418 554 029	2418 554 029	7
90433	2418 554 033	2418 554 033	7
90437	2418 554 037	2418 554 037	7
90439	2418 554 039	2418 554 039	7
90443	2418 554 043	2418 554 043	7
90445	2418 554 045	2418 554 045	8
90447	2418 554 047	2418 554 047	8
90449	2418 554 049	2418 554 049	8
90451	2418 554 051	2418 554 051	7
90455	2418 554 055	2418 554 055	8
90457	2418 554 057	2418 554 057	8
90461	2418 554 061	2418 554 061	8
90463	2418 554 063	2418 554 063	7
90465	2418 554 065	2418 554 065	8
90467	2418 554 067	2418 554 067	7
90469	2418 554 069	2418 554 069	8
90473	2418 554 073	2418 554 073	8
90477	2418 554 077	2418 554 077	8
90509	2418 559 009	x flange P&B 165/309	7
90614	3418 502 014	3418 502 014	5
90616	3418 502 016	3418 502 016	6
90625	3418 502 045	3418 502 045	5
VBD40001	PVE 4/1	1418 562 001	8
VBD40002	PVE 4/2	1418 592 003	8
VBD40007	PVE 7/1	1418 592 201	10
VBD40071	PVE 71/1	1418 562 009	9
VBD40139	2418 592 039	2418 592 039	10
CATERPILLAR			
96901	1W 6987	Valve Assembly	
96903	2S 1631	Check Valve	
96905	3F 0305	Valve Assembly	
96911	7N 1410	Check Valve	
96915	7N 5148	Check Valve	
96917	8N 1414	Valve Assembly	
96918	8S 4175	Check Valve	
96920	9B 1320	Check Valve	
96926	9H 5746	Check Valve	
96928	9N 0593	Valve Assembly	
DELPHI			
92250	7010-586		6
92251	7010-586D		5
92252	7010-586F		5
92253	7010-586J		5
92254	7033-359		5
92255	7033-361		5
92256	7033-361A		5
92260	7097-216		7



DELIVERY VALVES

OUR REF	STAMPING	PART NUMBER	Ø
DELPHI			
92261	7097-216A		7
92262	7097-216C		7
92265	7097-269		7
92266	7097-339		7
92267	7097-529		6
92268	7097-597		6
92269	7097-597B		6
92271	7118-227		6
922715	7118-227B		6
92272	7118-229		5
92273	7118-229C		5
92276	7118-239		7
92277	7118-239A		7
92278	7118-239B		7
92279	7118-241		7
92280	7173-56		6
92281	7173-57		6
92282	7173-58		6
DENSO			
93750	1350	090140-1350	6
93870	E1470	090140-1470	6
DEUTZ-FAHR			
96400	258 271 D3		7
EKM			
96750	EKM 50		5
FIAT			
94091	EPVE 90F1	769691	6
94092	EPVE 90F2	769803	6
94310	EPVE 310F1	767945	6
F&M			
96425	DV 25		9
96450	46/AA	9412 363 826	6
LUCAS-BRYCE			
91150	1/304A		5
91151	1/317		5
911514	1/338		5
911517	1/342		5
91152	1/387		5
91153	1/490		5
911535	1/490A		5
91154	1/594		5
91156	1/598		5
91160	11/103A		5
91161	11/103AB		5
91162	11/103AC		5
91170	11/103B		5
91172	11/103BB		5
91180	13/153A		5
91182	13/153B		5
91184	13/153C		5
91190	13/154A		5
91192	13/154B		5
91194	13/154C		5
VBR36154	D36/54E		14
LUCAS-SIMMS			
95502	PA82002		5



DELIVERY VALVES

OUR REF	STAMPING	PART NUMBER	Ø
LUCAS-SIMMS			
95505	PA84055		5
95550	A24499		5
95551	A26528		5
95557	A500032		5
95558	A500143		5
95559	A500448		6
95560	A500662		5
95562	A501932		5
95563	A502130		5
95565	A503410		5
95568	A503571		6
95570	A504392		6
95571	A504425		5
95572	A504660		5
95573	A504661		5
95577	A504787		7
95579	A504864		6
95581	A505288		5
95585	A505480		5
95587	A505487-1		5
95589	A505673		5
95591	A506409		5
95593	A507464-1		5
95594	A507467-1		5
95595	A507468-1		5
95597	A507474-1		5
95598	A507477-1		5
95600	A507500		6
95603	A507503-1		6
95604	A507504-1		6
95605	A507505-1		6
95606	A507506-1		6
95607	A507507-1		6
95611	A507511-1		6
95615	A507515-1		6
95630	A515476-1		6
MOTORPAL			
96500	60041-06		6
96501	60041-09		5
96502	60041-20		6
96503	60041-21		6
96504	60041-25		5
96505	60041-37		5
OMAP			
96821	OVE 201		5
96843	OVE 243		4
96860	OVE 260		4
96878	OVE 388		6
RUSTON			
96605	FPB 36/37		5
96610	FYB 20020		5
SIGMA			
96631	209 756		7
96633	216 991		7
96635	320 415		6
SKL			
VSK41121	222.132835-43	601-25814	12
VSK42204	204 741	222.204-741-76	14



DELIVERY VALVES



SKL			
VSK42218	305 641	222.305-641-74	14

STANADYNE			
96941	30721		3,5
96958	787928		4

SULZER			
VSU90200	M30x2 conical seat	Circulation Valve	
VSU90201	M33x2 conical seat	Circulation Valve	
VSU90202	M30x2 flat seat	Circulation Valve	

ZEXEL			
93003	A 3	131110-2320	6
93009	A 9	131110-2920	5
93010	A 10	131110-3020	6
93020	A 20	131110-3920	6
93024	A 24	131110-4320	6
93026	A 26	131110-4520	6
93028	A 28	131110-4720	6
93032	A 32	131110-5120	6
93033	A 33	131110-5220	6
93036	A 36	131110-5520	6
93040	A 40	131110-5920	6
93043	A 43	131110-6220	6
93045	A 45	131110-6420	6
93049	A 49	131110-6820	6
93058	A 58	131110-7720	6
93060	A 60	131110-7920	6
93061	A 61	131110-8020	6
93069	A 69	131110-8820	6
93075	A 75	131110-9420	6
93080	A 80	131110-9920	6
93084	A 84	131160-0320	6
93085	A 85	131160-0420	6
93086	A 86	131160-0520	6
93096	A 96	131160-1520	6
93105	O 5A	131160-2220	6
93109	O 9A	131160-2620	6
93215	K 15	140110-3620	5
93220	K 20	140110-4020	5
93301	P 1	134110-0120	7
93303	P 3	134110-0420	7
93304	P 4	134110-0520	6
93308	P 8	134110-0920	7
93313	P 13	134110-1420	8
93316	P 16	134110-1720	7
93319	P 19	134110-2020	8
93320	P 20	134110-2120	7
93323	P 23	134110-2420	7
93341	P 41	134110-4220	6
93343	P 43	134110-4420	7
93344	P 44	134110-4520	8
93353	P 53	134110-5420	8
93362	P 62	134110-6320	8
93371	P 71	134110-7220	7
93373	P 73	134110-7420	7
93374	P 74	134110-7520	7
93377	P 77	134110-7820	7
93384	P 84	134110-8520	7
93385	P 85	134110-8620	8
93388	P 88	134110-8920	8
93712	12A	131160-2920	6
93720	20A	131160-3620	6
93724	39A	131160-5320	6





ELECTRIC SPARE PARTS

RICAMBI ELETTRICI - PIÈCES DERECHARGE ÉLECTRIQUE - PIEZAS DE REPUESTO ELÉCTRICO - ELEKTRO-ERSATZTEILE



Solenoids
Solenoïdi
Solénoïdes
Solenoides
Magneticventile

34

Thermostarters
Termoavviatori
Bougies à flamme
Bujías de llama
Flamm glühkerzen

36

Glow plugs
Candelette
Bougies
Bujías
Glühkerzen

37

Important notice: All the parts herein are manufactured by Seven Diesel S.p.A.. Other manufacturer's names, symbols, code numbers are quoted for reference purposes only and do not imply that any part listed in this catalogue is the product of these manufactures.

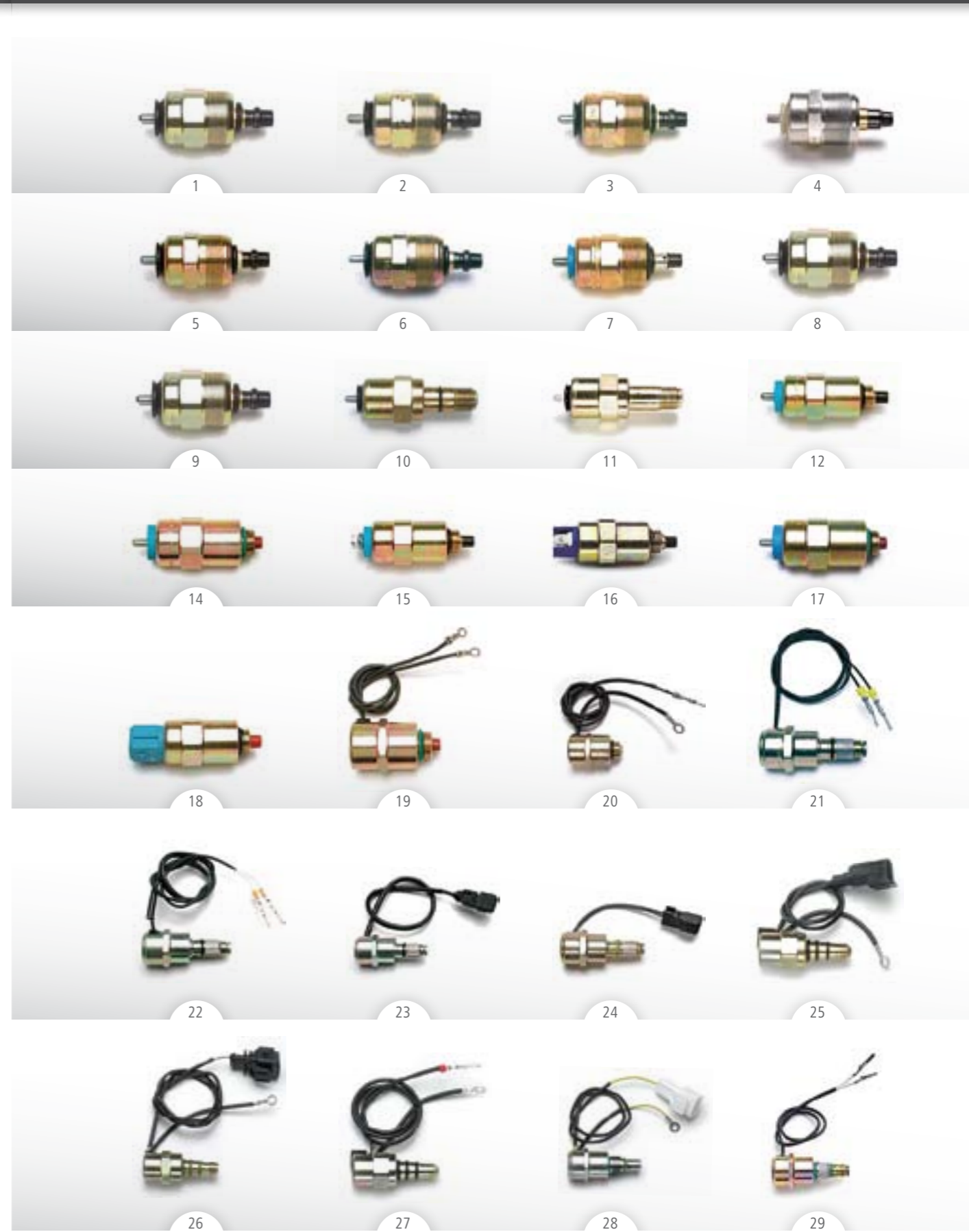
SOLENOIDS

OUR REF STAMPING DESCRIPTION FIG



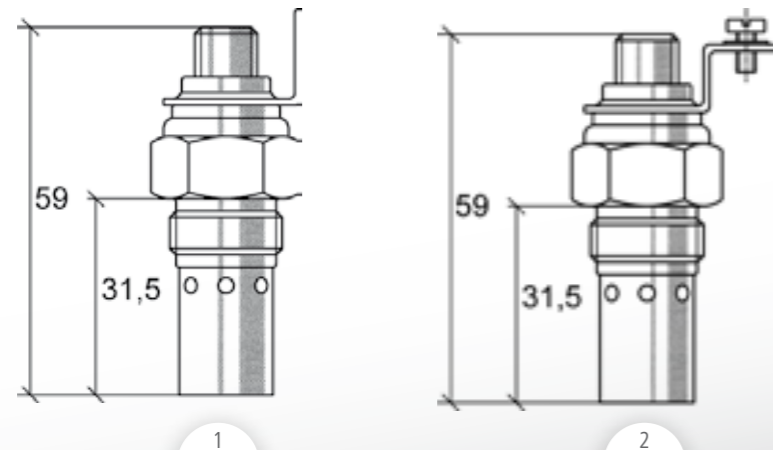
BOSCH			
S33015	0330 001 015	12V VE	1
S33016	0330 001 016	24V VE	1
S33018	0330 001 018	12V VE	1
S33021	0330 001 021	24V	4
S33025	0330 001 025	12V	2
S33028	0330 001 028	12V	3
S33040	0330 001 040	12V VE	5
S33041	0330 001 041	12V	5
S33042	0330 001 042	12V	5
S33043	0330 001 043	12V VE	6
S33047	0330 001 047	24V	5
DELPHI			
S71672	7167-620A	12V DPA/DPS	15
S71673	7167-620B	12V DPA/DPS	12
S71674	7167-620D	12V DPA/DPS - faston	16
S71802	7180-049A	24V DPA/DPC	15
S71804	7180-049D	24V DPA/DPC - faston	16
S71852	7185-900G	12V - faston	
S71853	7185-900K	24V	
S71855	7185-900P	24V - faston	
S71857	7185-900T	12V - 16 omh	
S71859	7185-900W	12V - 16 omh	17
S90093	9009-041	12V DPA/DPS	12
S90095	9009-049	12V DPA/DPS	12
S91020	9100-328D	12V	25
S91037	9100-827F	12V	28
S91047	9100-898B	12V	27
S91057	9100-971B	12V	29
S91067	9100-976N	12V	26
S91081	9108-073A	12V	14
S91083	9108-147C	12V DPCN Renault	22
S91085	9108-152A	12V DPCN Peugeot/Citroen	24
S91087	9108-153A	12V DPCN Ford	21
S91089	9108-154B	12V DPC Fiat - Renault	23
S91090	9109-239	12V	20
S91091	9109-241	12V	19
S91092	9109-262A	12V - Renault	19
S91454	9145-040D	12V DPA/DPS	12
S91854	9185-900G	12V - faston	18
S91856	9185-900H	24V - faston	18
DENSO			
S96500	096010-0500	12V VE	7
S97070	096030-0070	12V VE	
S97080	096030-0080	12V VE	7
S97160	096030-0160	12V VE	7
S97170	096030-0170	24V VE	
ZEXEL			
S98020	146430-1420	12V	8
S98320	146650-0720	12V	9
S98420	146650-0820	24V	9
S98720	146650-1320	24V	8
S98820	146650-5820	12V	10
S98920	146650-8520	12V	11

SOLENOIDS



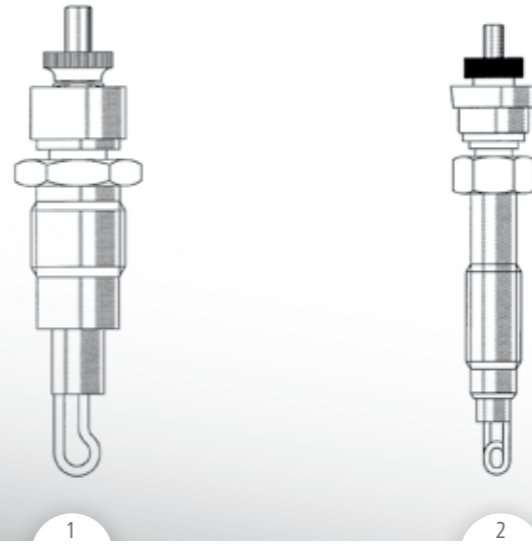
THERMOSTARTERS

OUR REF	STAMPING	DESCRIPTION	FIG
BERU			
SD2008	154 GS-GSF	Thermostarter 12V	
SD730	161 GS	Thermostarter 12V	2
SD2088	GF 166	Thermostarter 24V	
SD2090	GF 177	Thermostarter 24V	
BOSCH			
SD4200	0257 100 006	Thermostarter 24V	2
SD4202	0257 100 009	Thermostarter 12V	2
SD4204	0257 100 010	Thermostarter 12V	2
DELPHI			
SD0240	185 4040	Thermostarter 12V	2
SD400	185 4050	Thermostarter 12V	2
SD0260	185 4060	Thermostarter 24V	2
SD724	185 4080	Thermostarter 12V - faston	1
SD0290	185 4090	Thermostarter 24V - faston	1
SD0301	185 4101	Thermostarter 12V - faston	1
SD430	185 4102	Thermostarter 12V - faston	1
SD0303	185 4103	Thermostarter 24V - faston	1
SD0304	185 4104	Thermostarter 12V - faston	1
SD0305	185 4105	Thermostarter 24V - faston	1
SD734	185 4106	Thermostarter 12V - faston	1
SD0309	185 4109	Thermostarter 12V - faston	1
SD0311	185 4111	Thermostarter 12V - faston	1
SD0317	185 4117	Thermostarter 12V - faston	1



GLOW PLUGS

OUR REF	STAMPING	DESCRIPTION	FIG
SEVEN DIESEL			
SD6056	202 GS	Flame Glow Plug 1.7v	1
SD6090	DS 102	Flame Glow Plug	2





INJECTION PUMPS PARTS

RICAMBI POMPA D'INIEZIONE - PIÈCES DE RECHARGE POMPES D'INJECTION
 REPUESTOS PARA BOMBAS DE INYECCIÓN - ERSATZTEILE FÜR INJEKTIONSPUMPEN



Feed pumps Pompe di alimentazione Pompes d'alimentation Bombas de alimentación Förderpumpen	40	Diaphragms Membrane Membranes Diafragmas Membranen	50
Serviceparts for feed pumps Ricambi per pompe di alimentazione Pièces de service pour pompes d'alimentation Piezas de servicio para bombas de alimentación Serviceteile für förderpumpen	43	Gasket kits Serie guarnizioni Jeux de reparation Juegos de reparacion Dichtungssätze	51
Serviceparts for dpa, dpc and dps pumps Ricambi per pompe dpa, dpc e dps Pièces de service pour pompes d'alimentation dpa, dpc, dps Piezas de servicio para bombas dpa, dpc, dps Serviceteile für dpa, dpc, dps pumpen	47	Miscellaneous spare parts Ricambi vari Diverses pièces de recharge Otros repuestos Verschiedene ersatzteile	53

Important notice: All the parts herein are manufactured by Seven Diesel S.p.A.. Other manufacturer's names, symbols, code numbers are quoted for reference purposes only and do not imply that any part listed in this catalogue is the product of these manufactures.



FEED PUMPS



OUR REF	SUITABLE FOR	STAMPING	PART NUMBER	FIG
38003	BCD	50011006		
38005	BCD	50031177	250/AD	
38006	BCD	50031238		
38007	BCD	50033176	250/ADB	
38009	BCD	50033240		
38017	BCD	50041001	250/AL4/1	
380172	BCD	50041018	250/SM	
38019	BCD	50043040	250/SMB	
38020	BCD	50070008	350S2F	
38021	BCD	50071003	350/S2F/AD	
38022	BCD	50080006		
380224	BCD	50081007	250/P	
380227	BCD	50083003	250/PB	
380229	BCD	50083027	250PBS	
380232	BCD	51081005		
38024	BCD	52071000		
380249	BCD	52080073		
38025	BCD	52080074		
38026	BCD	52080076		
38027	BCD	52081068	200/GP200	
380272	BCD	52081070		
380274	BCD	52170034		
38028	BCD	52171038		
38030	BCD	53111005	9383	
38079	BCD	1529/1		
38080	BCD	1533/2A		
38081	BCD	1535/2		
380817	BCD	1537/1		
38082	BCD	1549/1		
38083	BCD	1647/1		
38085	BCD	1660/1		
38086	BCD	1662/7		
38088	BCD	1666/5		
38089	BCD	1669/5		
38093	BCD	1678/2		
38098	BCD	1686		
38099	BCD	1687/1		
380995	BCD	1695/1		
38100	BCD	1706/5		
38102	BCD	1752/1		
38136	BCD	1796		
38148	BCD	1808/6		
38150	BCD	1812		
38156	BCD	1823		
38159	BCD	1829/1		
38160	BCD	1832/1		
38163	BCD	1838/6		
38169	BCD	1855/7		
38175	BCD	1873/5		
38177	BCD	1877/1		
38198	BCD	1881		
381986	BCD	1886/5		
38199	BCD	1899/5		
38202	BCD	1902/5		
38205	BCD	1905/5		
38210	BCD	1910/5		
38211	BCD	1911/5		
38220	BCD	1920/6		
38221	BCD	1921/6		
38227	BCD	1927/5		
38228	BCD	1928/5		
38229	BCD	1929/5		
38230	BCD	1930/5		
38241	BCD	1941/5		

FEED PUMPS

OUR REF	SUITABLE FOR	STAMPING	PART NUMBER	FIG
38242	BCD	1942/1		
38243	BCD	1943/1		
38246	BCD	1946/5		
38247	BCD	1947/6		
38249	BCD	1949/5		
38258	BCD	1958/5		
38259	BCD	1959/6		
38260	BCD	1960/5		
38261	BCD	1961/7		
38262	BCD	1962/5		
38263	BCD	1963/1		
38267	BCD	1967/5		
38269	BCD	1969/5		
38281	BCD	1981/5		
38282	BCD	1983/5		
38313	BCD	2513		
38314	BCD	2514		
38315	BCD	2515		
38318	BCD	2518/5		
38322	BCD	2522/6		
38341	BCD	2541/5		
38345	BCD	2545/6		
38357	BCD	2557	for low temperature	
38363	BCD	2563		
38367	BCD	2567		
38370	BCD	2570		
38375	BCD	2575		
38389	BCD	2589		
38391	BCD	2591/3		
38397	BCD	2597		
38404	BCD	2604		
38408	BCD	2608		
38409	BCD	2609/1		
38437	BCD	2637		
38441	BCD	2641/1		
38458	BCD	2658/2		
38459	BCD	2659		
38460	BCD	2660/1		
38465	BCD	2665		
38470	BCD	2670/2		
38471	BCD	2671		
38472	BCD	2672		
38473	BCD	2673		
38474	BCD	2674		
38475	BCD	2675		
38477	BCD	2677		
38480	BCD	2680		
38482	BCD	2682		
38483	BCD	2683		
38485	BCD	2685/1		
38486	BCD	2686/1		
38488	BCD	2688		
38489	BCD	2689		
38497	BCD	2697		
38498	BCD	2698		
384983	BCD	2702		
384985	BCD	2705		
38499	BCD	2710/1		
38501	BCD	2714		
38509	BCD	2723		
38511	BCD	2727		
30010	Bosch	0440 003 141	FP/KE 22AD 187/2	
30013	Bosch	0440 003 148	FP/KE 22AD 202/2	
30016	Bosch	0440 003 176	FP/KE 22AD 112/2	



FEED PUMPS



OUR REF	SUITABLE FOR	STAMPING	PART NUMBER	FIG
30017	Bosch	0440 003 177	FP/KE 22AD 240/2	
30020	Bosch	0440 003 190	FP/KE 22AD 223/2	
30023	Bosch	0440 003 201	FP/KE 22AD 205/4	
30026	Bosch	0440 003 229	FP/KE 22AD 291/2	
30029	Bosch	0440 003 998		
30035	Bosch	0440 004 040	FP/KS 22AD 23/2	
30038	Bosch	0440 004 043	FP/KS 22AD 6/2	
30039	Bosch	0440 004 048	FP/KS 22AD 10/4	
30042	Bosch	0440 007 014	FP/K 22M 13	
30047	Bosch	0440 008 003	FP/K 22P 5	
30048	Bosch	0440 008 004	FP/K 22P 6	
30051	Bosch	0440 008 007	FP/K 22P 9	
30053	Bosch	0440 008 009	FP/K 22P 11	
30060	Bosch	0440 008 027	FP/K 22P 29	
30061	Bosch	0440 008 028	FP/KD 22P 30	
30063	Bosch	0440 008 030	FP/KD 22P 32	
300632	Bosch	0440 008 040		
300633	Bosch	0440 008 049		
3006339	Bosch	0440 008 062		
300634	Bosch	0440 008 068		
300635	Bosch	0440 008 069		
300636	Bosch	0440 008 071		
300637	Bosch	0440 008 072		
300638	Bosch	0440 008 074		
300639	Bosch	0440 008 076		
3006395	Bosch	0440 008 082	FP/KG24P 207	
30064	Bosch	0440 008 084	FP/KG24P 304	
300649	Bosch	0440 008 089	FP/KG24P 307	
300652	Bosch	0440 008 092		
300658	Bosch	0440 008 108		
300679	Bosch	0440 008 989		
300682	Bosch	0440 008 994		
300685	Bosch	0440 008 998		
26240	Lucas-Simms	7990361	7971160	
35032	Sigma	LM 32	Feed Pump	3
35038	Sigma	LM 52(A)	Feed Pump	3



HANDPRIMERS

ADESCATORI - POMPS A MAIN
BOMBAS DE MANO - HANDPUMPEN

OUR REF	SUITABLE FOR	STAMPING	DESCRIPTION	FIG
30488	Bosch	2447 010 033	Handprimer	3
304881	Bosch	2447 010 045	Handprimer with nipple	3
30500	Bosch	2447 222 000 (099)	Handprimer Fe	1
30502	Bosch	2447 222 000 B	Handprimer w/Spring	1
30505	Bosch	2447 222 001	Handprimer Long	2
30507	Bosch	2447 222 012	Handprimer Long	2
30508	Bosch	2447 222 020	Handprimer Alluminium	4
30512	Bosch	2447 222 125	Handprimer	3
39685	Caterpillar	4W 0788	Primer Assembly	
39756	Caterpillar	9H 2256	Primer Assembly	



HANDPRIMER SET WITH VALVE

ADESCATORE CON VALVOLA - POMP A MAIN AVEC SOUPAPE
BOMBAS DE MANO CON VALVULA - HANDPUMPEN MIT VENTILE

OUR REF	SUITABLE FOR	STAMPING	DESCRIPTION	FIG
30070	Bosch	0440 011 002	Handprimer set, two-holed flange	1
30071	Bosch	0440 011 003	Handprimer set	4
30072	Bosch	0440 011 007	Handprimer set, two-holed flange	1
30073	Bosch	0440 011 008	Handprimer set	
30074	Bosch	0440 011 009	Handprimer set, two-holed flange	1
30075	Bosch	0440 011 010	Handprimer set, two-holed flange	2
30076	Bosch	0440 011 011	Handprimer set, two-holed flange	3
30078	Bosch	0440 011 013	Handprimer set	4
30079	Bosch	0440 011 015	Handprimer set	4



PREFILTERS

PREFILTRI - PREFILTRES
PREFILTROS - VORREINNIGER

OUR REF SUITABLE FOR STAMPING PART NUMBER FIG



30275	Bosch	1457 434 000	Prefilter Assy.	1
30276	Bosch	1457 434 002	Prefilter Assy.	2
30525	Bosch	2457 434 009	Prefilter Assy.	3



1



2



3

FILTERGLASS

BICCHIERINO - CURVE EN VERRE
VASO - FILTERGLAS

OUR REF SUITABLE FOR STAMPING DESCRIPTION FIG

30530	Bosch	2459 999 002	Glass x Feed Pump	1
-------	-------	--------------	-------------------	---



1

VALVE

VALVOLINA - SOUPAPE
VALVULA - VENTIL

OUR REF SUITABLE FOR STAMPING DESCRIPTION FIG

30465	Bosch	2443 203 001	Valve White, Lapped	1
33100	Zexel	152115-0200	Valve White, Lapped	1



1

VALVE

VALVOLINA - SOUPAPE
VALVULA - VENTIL

OUR REF SUITABLE FOR STAMPING DESCRIPTION FIG

30515	Bosch	2447 419 000 (002)	Non Return Valve	1
-------	-------	--------------------	------------------	---



1

FILTER

FILTER - FILTRO
FILTRE - FILTRO - FILTER

OUR REF SUITABLE FOR STAMPING DESCRIPTION FIG

30250	Bosch	1450 410 011		1
38038	BCD	55340000	080/B	1
38041	BCD	59000253	SR9441	1



1

SPRING

MOLLA - RESSORT
RESORTE - FEDER

OUR REF SUITABLE FOR STAMPING DESCRIPTION FIG

30520	Bosch	2454 642 000	Spring x Filter 30250	1
30470	Bosch	2444 615 006	Spring x Valve	1



1



GASKET KITS

SERIE GUARNIZIONI - JEUX DE REPARATION
JUEGOS DE REPARACION - REPARATUSÄTZE

46

OUR REF	SUITABLE FOR	STAMPING	PART NUMBER	FIG
30475	Bosch	2447 010 004	Kit FP/K...	1
30476	Bosch	2447 010 004S	Kit FP/K...	1
30477	Bosch	2447 010 010	Kit FP/K..M	1
304771	Bosch	2447 010 011	Kit FP/K...	1
30478	Bosch	2447 010 016	Kit FP/K...	1
304781	Bosch	2447 010 017	Kit FP/K...	1
304782	Bosch	2447 010 018	Kit FP/K...	1
30480	Bosch	2447 010 019	Kit FP/K...	1
30482	Bosch	2447 010 021	Kit FP/K...	1
30483	Bosch	2447 010 023	Kit FP/K...	1
30484	Bosch	2447 010 024	Kit FP/K...	1
30487	Bosch	2447 010 027	Kit FP/K..KE	1
30490	Bosch	2447 010 035	Kit FP/K...	1



1

SERVICEPARTS FOR DPA, DPC AND DPS PUMPS

47

OUR REF	SUITABLE FOR	STAMPING	DESCRIPTION	FIG
20582	Delphi	7123-770	Throttle shaft DPA/DPS	1
20583	Delphi	7123-770A	Throttle shaft DPA/DPS	1
20584	Delphi	7123-770D	Throttle shaft DPA/DPS	1
20585	Delphi	7123-770Q	Throttle shaft DPA/DPS	1
20861	Delphi	7174-828E	Throttle shaft DPS	1
20863	Delphi	7174-828L	Throttle shaft DPS	1
20871	Delphi	9100-178A	Throttle shaft DPC	1
20872	Delphi	9100-179D	Throttle shaft DPC	1
20875	Delphi	9100-199A	Throttle shaft DPC	1
20449	Delphi	7123-309E	Cam Ring DPA	2
20488	Delphi	7123-308N	Cam Ring DPA	2
204887	Delphi	7123-308T	Cam Ring DPA	2
20489	Delphi	7123-309D	Cam Ring DPA	2
20802	Delphi	7139-763E	Cam Ring DPA	2
20746	Delphi	7139-115	Liner DPA	3
20760	Delphi	7139-223	Liner DPA	3
20780	Delphi	7139-540	Liner DPA/DPS	3
20859	Delphi	7174-476	Liner DPS	3
20898	Delphi	9103-009-A-N-AN	Liner DPC	3
20525	Delphi	7123-388	Blades DPA - Set 2 pcs.	4
20573	Delphi	7123-620	Filter DPA	5
20528	Delphi	7123-439	Spring DPA/DPC/DPS	6
20120	Delphi	5393-252R	Oil Seal DPA	7
20122	Delphi	5393-252U	Oil Seal DPA	7
20867	Delphi	7175-856	Oil seal DPS	7
21007	Delphi	9107-404	Oil seal DPC	7
20556	Delphi	7123-576L	End Plate DPA/DPS	8
20558	Delphi	7123-576M	End Plate Kit	8
20560	Delphi	7123-576P	End Plate DPA/DPS	8
20718	Delphi	7135-181	End Plate Kit	8
20730	Delphi	7139-28A	End Plate	8
20775	Delphi	7139-344	End Plate Kit	8
20677	Delphi	7135-72	Roller & Shoe DPA	
20674	Delphi	7135-70	Kit DPA Mech.	9
20675	Delphi	7135-70S	Kit 7135-70 +blades +piston	9
20693	Delphi	7135-81	Kit DPA Mech.	9
20694	Delphi	7135-84	Kit DPA Mech. UPR	9
20695	Delphi	7135-84S	Kit DPA Mech. Fiat	9
20697	Delphi	7135-92	Kit DPS	9
20700	Delphi	7135-110	Kit DPA Mech.	9
20702	Delphi	7135-110S	Kit 7135-110 +blades +piston	9
207025	Delphi	7135-112	Kit DPA	9
20703	Delphi	7135-114	Kit DPA Hydr. Gover. Rev.	9
20704	Delphi	7135-116	Kit DPA Hydr. Gover. Rev.	9
20706	Delphi	7135-120	Kit DPS VW	9
20707	Delphi	7135-121	Kit DPS 4 cyl.	9
20708	Delphi	7135-122	Kit DPS Fiat P	9
20709	Delphi	7135-123	Kit DPS Ford	9
20710	Delphi	7135-124	Kit DPS Cummins	9
20712	Delphi	7135-126	Kit DPS	9
20869	Delphi	9045-84	Kit DPA	9
20890	Delphi	9009-088A	Kit DPA-R-Hyd.	9
20893	Delphi	9009-089A	Kit DPA-R-Mech.	9
21020	Delphi	9109-013A	Kit DPC-R	9
21032	Delphi	9109-220	Kit DPC-A-Basic	9
21034	Delphi	9109-230	Kit DPC-A Low	9
20579	Delphi	7123-725B	Stop DPA	
20501	Delphi	7123-340L	Head & Rotor new 7180-550L Ø7R	10
20502	Delphi	7123-340K	Head & Rotor new 7180-550K Ø7L	10
20503	Delphi	7123-340G	Head & Rotor new 7180-550G Ø6R	10
20504	Delphi	7123-340R	Head & Rotor new 7180-550R Ø8,5L	10
20506	Delphi	7123-340S	Head & Rotor new 7180-550S Ø8,5R	10
20507	Delphi	7123-340T	Head & Rotor new 7180-550T Ø9L	10
20508	Delphi	7123-340U	Head & Rotor new 7180-550U Ø9R	10



SERVICEPARTS FOR DPA, DPC AND DPS PUMPS

48



OUR REF	SUITABLE FOR	STAMPING	PART NUMBER	FIG
20510	Delphi	7123-340W	Head & Rotor new 7180-550W Ø9,5R	10
20515	Delphi	7123-345T	Head & Rotor new 7180-559T Ø9L	10
20517	Delphi	7123-345U	Head & Rotor new 7180-559U Ø9R	10
20518	Delphi	7123-345W	Head & Rotor new 7180-559W Ø9,5R	10
20519	Delphi	7123-359M	Head & Rotor new 7180-578M Ø7,5L	10
20609	Delphi	7123-909T	Head & Rotor new 7180-571T Ø9L	10
20611	Delphi	7123-909U	Head & Rotor new 7180-571U Ø9R	10
20765	Delphi	7139-235N	Head & Rotor new 7180-593N Ø7,5R	10
20778	Delphi	7139-422W	Head & Rotor new 7180-759W Ø9,5R	10
20799	Delphi	7139-709W	Head & Rotor new 7180-611W Ø9,5R	10
20803	Delphi	7139-764S	Head & Rotor new 7180-616S Ø8,5R	10
20806	Delphi	7139-764T	Head & Rotor new 7180-616T Ø9L	10
20530	Delphi	7123-490	Met.Valve DPA	11
20531	Delphi	7123-490A	Met.Valve DPA	11
20532	Delphi	7123-490C	Met.Valve DPA	11
20533	Delphi	7123-490E	Met.Valve DPA	11
20588	Delphi	7123-781	Met.Valve DPA	11
20589	Delphi	7123-781A	Met.Valve DPA	11
20630	Delphi	7123-930	Met.Valve DPA	11
20782	Delphi	7139-559	Met.Valve DPA	11
20783	Delphi	7139-559B	Met.Valve DPA	11
20785	Delphi	7139-559D	Met.Valve DPA	11
20864	Delphi	7174-980A	Met.Valve DPS	11
20868	Delphi	9002-258E	Met.Valve DPA	11
20870	Delphi	9080-129C	Met.Valve DPA	11



1

Throttle shaft
Albero acceleratore
Axe de réglage des vitesses
Eje de acclerador
Reglerhebel-welle



2

Cam Ring
Anello a camme
Anneau à cames
Anillo de leva
Nockenring



3

Liner
Anello Ellittico
Excentrique
Excéntrica
Exzenterhülse

SERVICEPARTS FOR DPA, DPC AND DPS PUMPS

49



4

Blades
Carboncino
Palettes
Pala de transferencia
Blätter



5

Filter
Filtro
Filtre
Filtro
Filter



6

Spring
Molla
Ressort
Resorte
Feder



7

Oil Seal
Paraolio
Reten
Retén
Klemmbache



8

End Plate
Piastra terminale
Embout
Placa extremo
Endplatte



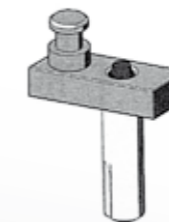
9

Gasket Kit
Serie guarnizioni
Jeux de réparation
Juegos de reparacion
Dichtungssätze



10

Head & Rotor
Testa idraulica
Tête hydraulique
Cabezal hidráulico
Hydraulischer Kopf und Rotor



11

Metering Valve
Valvola di dosaggio
Soupape de dosage
Válvula dosificadora
Dosierventil



DIAPHRAGMS



OUR REF	SUITABLE FOR	STAMPING	DESCRIPTION	FIG
30165	Bosch	1420 503 006	EPME 1P	1
30169	Bosch	1420 503 022	EPME 17S2	1
30171	Bosch	1420 503 024	EPME 17S6	1
30175	Bosch	1420 503 028	EPME 17P15	1
30185	Bosch	1420 503 905	EPME 17S96	1
30441	Bosch	2420 503 002	Diaphragm	1
30442	Bosch	2420 503 014	Diaphragm Silicone	1
20350	Delphi	7034-19A	Diaphragm	1
20351	Delphi	7034-19B	Diaphragm	1
20352	Delphi	7034-19C	Diaphragm	1
20353	Delphi	7034-19H(D)	Diaphragm	1
33221	Denso	090580-0021	Diaphragm	1
33241	Denso	090580-0041	Diaphragm	1
25055	Lucas-Simms	26218	Diaphragm	1
25070	Lucas-Simms	84091	Diaphragm	1
33125	Zexel	155020-7920	Diaphragm	1
33130	Zexel	155020-8620	Diaphragm	1



1

GASKET KITS

OUR REF	SUITABLE FOR	STAMPING	DESCRIPTION	FIG
30115	Bosch	1417 010 001	Kit PES 4 M	1
30117	Bosch	1417 010 002	Kit PES 4A..D..S1000	1
30118	Bosch	1417 010 003	Kit PES 6A 80D	1
30120	Bosch	1417 010 004	Kit PESS/6MW + RSF Gov.	1
30122	Bosch	1417 010 007	Kit PES 8 MW	1
30123	Bosch	1417 010 008	Kit PES 6 MW RS1100	1
30124	Bosch	1417 010 009	Kit PES 8 MW S10/11	1
30126	Bosch	1417 010 011	Kit PES 4 M	1
30127	Bosch	1417 010 012	Kit PES 5 M	1
301273	Bosch	1417 010 013	Kit PES 6 M	1
301277	Bosch	1417 010 997	Kit PDE UIS	1
30220	Bosch	1427 010 002 (S)	Kit RQ...RQV	1
30222	Bosch	1427 010 003	Kit EP/RSV..A..B..M	1
30300	Bosch	1467 010 036	Kit VA C. CL.	1
30305	Bosch	1467 010 050	Kit VA A.B.	1
30311	Bosch	1467 010 059A	Kit EP/VE 17mm	1
30312	Bosch	1467 010 059 X	Kit VE Turbo 20mm	1
30314	Bosch	1467 010 059 LD	Kit VE Turbo 17mm	1
30315	Bosch	1467 010 059 SS	Kit VE 3 oil seals	1
30367	Bosch	1467 010 467	Kit VE Turbo	1
303674	Bosch	1467 010 520	Kit for VE	1
30368	Bosch	1467 045 046	Kit for VP44	1
30401	Bosch	2417 010 001	Kit PE(S)6P...1000	1
30403	Bosch	2417 010 003	Kit PE(S)8P S1000	1
30404	Bosch	2417 010 004	Kit PE(S)10P S1000	1
30408	Bosch	2417 010 008	Kit PE(S)6P S7000	1
30409	Bosch	2417 010 009	Kit PE(S)8P 7000/7099	1
30410	Bosch	2417 010 010	Kit PE(S) 6P 7100	1
30411	Bosch	2417 010 011	Kit PE(S)6P 6000	1
30421	Bosch	2417 010 021	Kit PE(S)6P 8000	1
30422	Bosch	2417 010 022	Kit PE(S) 8P 7100/7800	1
30444	Bosch	2427 010 001	Kit PE(S)	1
30580	Bosch	9421 080 068	Kit Smoke Limit	1
30590	Bosch	F00V X99 999	Kit EUI	1
30601	Bosch	CP 1 Universal	Kit Common Rail	1
306015	Bosch	CP 1 Kya-Mercedes	Kit Common Rail	1
30602	Bosch	CP 1 Daily/Mercedes	Kit Common Rail 2 oil seals	1
30603	Bosch	CP 3 Universal	Kit Common Rail	1
306037	Bosch	CP 3 - 70	Kit Common Rail	1
306038	Bosch	CP 3 - 80	Kit Common Rail	1
306039	Bosch	CP 3 - 110	Kit Common Rail	1
39690	Caterpillar	6N 1133	Gasket Kit	1
396912	Caterpillar	6V 4788	Gasket Kit	1
20674	Delphi	7135-70	Kit DPA Mech.	1
20675	Delphi	7135-70S	Kit 7135-70 +blades +piston	1
20693	Delphi	7135-81	Kit DPA Mech.	1
20694	Delphi	7135-84	Kit DPA Mech. UPR	1
20695	Delphi	7135-84S	Kit DPA Mech. Fiat	1
20697	Delphi	7135-92	Kit DPS	1
20700	Delphi	7135-110	Kit DPA Mech.	1
20702	Delphi	7135-110S	Kit 7135-110 +blades +piston	1
207025	Delphi	7135-112	Kit DPA	1
20703	Delphi	7135-114	Kit DPA Hydr. Gover. Rev.	1
20704	Delphi	7135-116	Kit DPA Hydr. Gover. Rev.	1
20706	Delphi	7135-120	Kit DPS VW	1
20707	Delphi	7135-121	Kit DPS 4 cyl.	1
20708	Delphi	7135-122	Kit DPS Fiat P	1
20709	Delphi	7135-123	Kit DPS Ford	1
20710	Delphi	7135-124	Kit DPS Cummins	1
20712	Delphi	7135-126	Kit DPS	1
20720	Delphi	7135-220	Repair Kit VE	1
20723	Delphi	7135-486	Kit EUI + 7135-788	1
20727	Delphi	7135-788	Kit EUI + 7135-486	1
20869	Delphi	9045-84	Kit DPA	1



GASKET KITS



OUR REF	SUITABLE FOR	STAMPING	DESCRIPTION	FIG
20890	Delphi	9009-088A	Kit DPA-R-Hyd.	1
20893	Delphi	9009-089A	Kit DPA-R-Mech.	1
21020	Delphi	9109-013A	Kit DPC-R	1
21032	Delphi	9109-220	Kit DPC-A-Basic	1
21034	Delphi	9109-230	Kit DPC-A Low	1
33310	Denso	096010-0010	Kit VE Hard Buffers	1
33320	Denso	096010-0020	Kit VE Soft Buffers	1
33330	Denso	096010-0030	Kit for Toyota	1
32301	Fiat	GK301	Kit PE6B/E Fiat	1
32302	Fiat	GK302	Kit PE6BV	1
39828	GM	519 5078	Gasket Kit	1
25190	Lucas-Simms	506800	Kit 4 cyl. Minimec	1
25191	Lucas-Simms	506801	Kit 4 cyl. Minimec VAC	1
25196	Lucas-Simms	506806	Kit 6 cyl. Minimec	1
25197	Lucas-Simms	506807	Kit 6 cyl. Minimec	1
25198	Lucas-Simms	506808	Kit 6 cyl. Minimec	1
35166	Sigma	211066	Kit CMS 4	1
35168	Sigma	211066 C-D	Kit DMS 6	1
35170	Sigma	CMX	Kit CMX 6D	1
33029	Zexel	131499-2420	Kit for Furukawa	1
33090	Zexel	146600-1120	Kit EP/VE...Isuzu	1
33091	Zexel	146600-1120S	Kit EP/VE 20mm	1
33095	Zexel	146600-2420	Kit EP/VE...Mazda	1
33105	Zexel	154599-1020	Kit RSV Gov.	1
33106	Zexel	154599-1220	Kit RQ Gov.	1
33168	Zexel	190440-0380	Kit PE(S)6NB	1



1

MISCELLANEOUS SPARE PARTS

OUR REF	SUITABLE FOR	STAMPING	DESCRIPTION
39995	Belarus-Kamaz	39995	Washer,D/Valve
30080	Bosch	1230 203 001	Washer,D/Valve
30086	Bosch	1410 105 001	Seal Bronze x 235P7
30087	Bosch	1410 105 003	Seal Bronze
30090	Bosch	1410 206 020	Nylon Joint ø18
30091	Bosch	1410 206 022	Nylon Joint ø17
30092	Bosch	1410 206 023	Nylon Joint ø16
30128	Bosch	1417 413 000	Overflow Valve
30129	Bosch	1417 413 001	Overflow Valve
30134	Bosch	1417 413 012	Overflow Valve
30140	Bosch	1417 413 060	Overflow ball valve
30150	Bosch	1420 026 000	Rubber Damper
30156	Bosch	1420 283 001	Shaft Seal
30260	Bosch	1457 413 010	Overflow Valve
30280	Bosch	1460 210 008	Throttle shaft O-ring
30285	Bosch	1460 324 333	Bushing, length 30,6mm
30290	Bosch	1460 400 004	Bushing, ø17mm
30291	Bosch	1460 400 014	Bushing, ø20mm
30370	Bosch	1900 910 201	Bearing
30387	Bosch	2410 206 007	Quad ring 28x2x3
30443	Bosch	2422 120 052	Guide Block
30456	Bosch	2440 520 022	Piston
30560	Bosch	2916 710 610	Washer
39630	Caterpillar	108 6630	Pump Group
39633	Caterpillar	108 6633	Pump Group
39634	Caterpillar	108 6634	Pump Group
39640	Caterpillar	1P 3409	Pump Assembly
39641	Caterpillar	1W6539	Pump Group type A
396412	Caterpillar	1W 6539	Pump Group type B
39643	Caterpillar	2S 7264	Pump Assembly
39665	Caterpillar	3S 1467	Pump Assembly
39682	Caterpillar	4N 1132	Transfer Pump Assy.
39683	Caterpillar	4N 8898	Pump Group
39684	Caterpillar	4P 9827	Pump Group
39688	Caterpillar	6N 1042	Pump Group
39689	Caterpillar	6N 1043	Pump Group
39691	Caterpillar	6N 7829	Pump Group
396914	Caterpillar	7C 8927	Pump Group
39692	Caterpillar	7N 1185	Pump Group
396923	Caterpillar	7N 1219	Pump Group
396926	Caterpillar	7N 5301	Pump Group
39693	Caterpillar	7W 0561	Pump Group
39694	Caterpillar	7W 5928	Pump Group
39695	Caterpillar	8M 2667	Pump Assembly
39710	Caterpillar	8M 3138	Pump Assembly
39715	Caterpillar	8M 3280	Pump Assembly
39720	Caterpillar	8M 9753	Pump Assembly
39725	Caterpillar	8M 9755	Pump Assembly
39730	Caterpillar	8M 9758	Pump Assembly
39740	Caterpillar	8N 4997	Pump Group
39763	Caterpillar	9L 6863	Transfer Pump
39770	Caterpillar	9Y 0510	Pump Group
20054	Delphi	5330-344	Cover
20094	Delphi	5339-964	Washer
20096	Delphi	5339-966	Washer
20164	Delphi	5855-30 BB	Seal Ring
20166	Delphi	5855-30 BC	Seal Ring
20168	Delphi	5855-30 BD	Seal Ring
20169	Delphi	5855-30 BE	Seal Ring
20170	Delphi	5855-30 BF	Seal Ring
20172	Delphi	5855-30 BR	Seal Ring
20174	Delphi	5855-30 DR	Seal Ring
20175	Delphi	5855-30 DQ	Seal Pinion
20205	Delphi	5936-58R	Washer



MISCELLANEOUS SPARE PARTS



20212	Delphi	5936-177	Washer
20226	Delphi	5936-332C	Washer
20315	Delphi	7022-180B	Bonded Seal
20317	Delphi	7022-180D	Bonded Seal
20431	Delphi	7123-15G	Piston
205181	Delphi	7123-351B	Vent. Screw
205182	Delphi	7123-352B	Vent. Screw
20549	Delphi	7123-549	Hub
20577	Delphi	7123-724	Bushing
20654	Delphi	7133-114	Oil Seal
20670	Delphi	7135-74	Piston Sleeve
20680	Delphi	7123-980	Hub
20691	Delphi	7135-78D	Cover Assy
20744	Delphi	7139-74B	Lever
20750	Delphi	7139-159A	Damper
20751	Delphi	7139-159B	Damper, hole 0,8
21069	Delphi	NW5-8W4	Washer
21070	Delphi	NW5-9W4	Shim
21074	Delphi	NW5-15W4	Washer
21078	Delphi	NW5-17W4	Washer
21084	Delphi	NW5-18W4	Washer
21089	Delphi	NW5-34W4	Shim
21095	Delphi	NW5-77W4	Washer
33406	Denso	096446-0100	Washer SP.3,6
39853	GM	522 6400	Gear
39866	GM	522 8104	Follower
39895	GM	522 8587	Filter
39900	GM	522 8594	Bushing
39902	GM	522 8596	Spring
39920	GM	522 8766	Seat, Valve Spring
39985	GM	522 9649	Filter kit
25035	Lucas-Simms	24505	Nylon Joint ø19
25045	Lucas-Simms	25883	Spring
25090	Lucas-Simms	500119	Pad
25091	Lucas-Simms	500120	Pad Ring
25110	Lucas-Simms	500423	Shroud
25120	Lucas-Simms	500740 = 501112	Plate
25130	Lucas-Simms	500745	Governor Weight
33020	Zexel	016630-2030	Bearing
33025	Zexel	028001-7010	Bearing
33026	Zexel	029622-0220	Oil Seal
33028	Zexel	096039-0040	Oil Seal
33030	Zexel	132112-0200	Spring,D/Valve
33050	Zexel	146432-0000	Spring
33055	Zexel	146432-0200	Spring
33070	Zexel	146440-0120	Holder,D/Valve
33075	Zexel	146440-0220	Holder,D/Valve
33086	Zexel	146600-1000	Ring
33096	Zexel	146601-0500	Oil Seal





EQUIPMENT

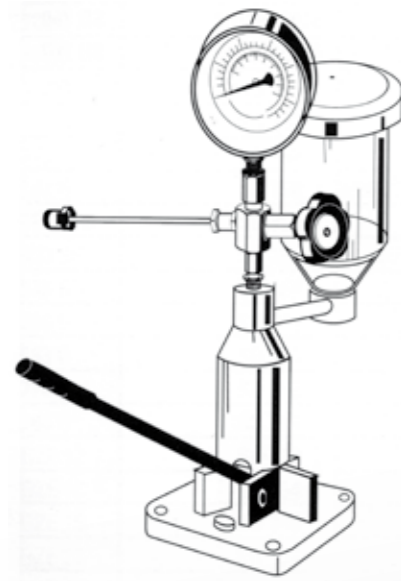
ATTREZZATURA - ÉQUIPEMENT - HERRAMIENTA - AUSRÜSTUNG



Nozzle tester Pompa prova polverizzatori Pompe d'essai Probador de toberas Düsenprüfgerät	58	Pump tool kit Cassette attrezzatura pompe Boîtes de équipement pour pompes Cajeta de herramienta para bombas Kit mit pumpenwerkzeuge	61
Spare parts for nozzle tester Ricambi per pompa prova polverizzatori Pièces de recharge pour pompe d'essai Piezas para probador de toberas Zubehör für düsenprüfgerät	59	Calibrating injectors and spares Iniettori di prova e ricambi Injecteurs d'essai et pieces de service Inyectores de prueba y piezas de servicio Prüf-düsen und serviceteile	62
Nozzle shim set Spessori di taratura Rondelles de calage Arandelas de taradura Eintellsscheiben	60		

Important notice: All the parts herein are manufactured by Seven Diesel S.p.A.. Other manufacturer's names, symbols, code numbers are quoted for reference purposes only and do not imply that any part listed in this catalogue is the product of these manufactures.





OUR REF	STAMPING	DESCRIPTION
10002	NT 709	0-400 Bar glicerine Pressure Gauge
10003	NT 710	0-600 Bar glicerine Pressure Gauge

APPLICATIONS Nozzle tester is used to adjust the opening pressure of the injection nozzle size P, S and T and to carry out leakage, spray pattern and chatter characteristic tests.

FEATURES We can supply the nozzle tester with pressure gauge 0-400 Bar or 0-600 Bar. Both are supplied with two pressure pipes to nozzle holder, with plastic container for test oil (ISO 4113), with fine and easy to remove filter. Dimensions and weight: 46 x 20,5 x 21 cm – about 6 Kilos.

IMPIEGO La pompa prova polverizzatori è utilizzata per verificare la pressione di apertura del polverizzatore, le eventuali perdite (gocciolamento) e per analizzare l'atomizzazione, ampiezza e forma del getto, dei fori di spruzzo dei polverizzatori di taglia P, S e T.

CARATTERISTICHE La pompa viene fornita in due modelli o con manometro con scala 0/400 Bar o con scala 0/600 Bar. Entrambi sono dotati di due tubi di connessione al porta iniettore, hanno il serbatoio per l'olio di prova (che deve essere a norma ISO4113) in materia plastica antiurto e filtro facilmente sostituibile. Dimensioni e peso: 46 x 20,5 x 21 cm – circa 6 Kg.

UTILISATION La pompe à tarer sert à contrôler la pression d'ouverture, l'étanchéité, le ronflement et la forme du jet des injecteurs taille P,S et T.

CARACTERISTIQUES Nous pouvons fournir des pompe d'essai avec manomètre 0-400 Bar ou 0-600 Bar. Les deux sont fournis avec deux tubes à pression au porte-injecteur, avec réservoir en plastique pour l'huile d'essai (ISO 4113), avec amende et avec filter facile d'enlever. Dimensions et poids: 46 x 20,5 x 21 cm - environ 6 kilos.

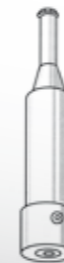
APLICACIÓN Con el probador de toberas se ajusta la presión de abertura de las toberas de tamaño P, S, T así como la hermeticidad, la forma de chorro y las características de vibración.

CARATERÍSTICAS Estàn disponibles dos modelos de probador de toberas, con manómetro 0/400 Bar o con manómetro 0/600 Bar. Ambos tienen 2 tuberías de conexión hacia el portainyector y tienen el recipiente para el aceite de prueba (que debe cumplir con la norma ISO4113) de material plástico antichoque y con filtro fácilmente reemplazable. Dimensiones y peso: 46 x 20,5 x 21 cm – aproximadamente 6 Kg.

VERWENDUNG Mit dem Düsenprüfgerät wird der Öffnungsdruck der Einspritzdüsen der Größen P, S und T eingestellt, sowie die Dichtheit, die Strahlform und die Schnarreigenschaften geprüft.

EIGENSCHAFTEN Man kann zwischen 2 Modellen wählen, entweder einem mit Manometer 0/400 Bar oder einem mit Manometer 0/600 Bar. Beide verfügen über 2 Anschlußleitungen zum Düsenhalter, einem Prüfolbehälter (das Prüfol muß gemäß der ISO-Norm 4113 sein) aus antistoß Plastik mit leicht ersetzbarem Filter. Dimensionen und Gewicht: 46 x 20,5 x 21 cm – ungefähr 6 Kg.

OUR REF	DESCRIPTION	STAMPING	FIG
10015	Element Ø10 - Pompante Ø10 - Piston Ø10 Elemento Ø10 - Pumpenelement Ø10	NT 715	1
10020	Delivery Valve Ø 6 - Valvola Ø 6 - Soupape Ø 6 Valvula Ø 6 - Druckventil Ø 6	NT 720	2
10037	Pressure gauge 0-400 Bar - Manometro 0-400 Bar - Manometre 0-400 Bar Manómetro 0-400 Bar - Manometer 0-400 Bar	NT 737	3
10038	Pressure gauge 0-600 Bar - Manometro 0-600 Bar - Manometre 0-600 Bar Manómetro 0-600 Bar - Manometer 0-600 Bar	NT 738	3
10045	Fuel Container - Serbatoio - Reservoir Cuba de probador - Prüfolbehälter	NT 745	4
10060	Filterelement - Filtro - Tamis nylon Elemento filtro - Filterelement	NT 760	5
10070	Fuel pipe - Tubo di collegamento - Jeu de tube Juego de tubería - Leitungssatz	M14-12x1,5	6
10071	Fuel pipe - Tubo di collegamento - Jeu de tube Juego de tubería - Leitungssatz	M14-14x1,5	6



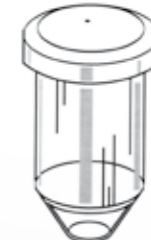
1



2



3



4



5



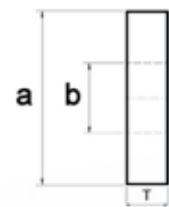
6



NOZZLE SHIM SET



OUR REF	STAMPING	DESCRIPTION	A (mm)	B (mm)	FIG
15100	Shim Kit Ø5,0mmxØ2,0	20 pieces x 24 measures (T) = 480 pieces	5,0	2,0	1
15101	Shim Kit Ø7,0mmxØ2,5	20 pieces x 24 measures (T) = 480 pieces	7,0	2,5	1
151 02	Shim Kit Ø7,0mmxØ3,5	20 pieces x 24 measures (T) = 480 pieces	7,0	3,5	1
15103	Shim Kit 7,35mmxØ2,5	20 pieces x 24 measures (T) = 480 pieces	7,35	2,5	1
15104	Shim Kit Ø8,5mmxØ3,0	20 pieces x 24 measures (T) = 480 pieces	8,5	3,0	1
15105	Shim Kit Ø9,4mmxØ4,0	20 pieces x 24 measures (T) = 480 pieces	9,4	4,0	1
15106	Shim Kit Ø9,8mmxØ4,0	20 pieces x 24 measures (T) = 480 pieces	9,8	4,0	1
15107	Shim Kit 11,5mmxØ5,0	20 pieces x 24 measures (T) = 480 pieces	11,5	5,0	1
15110	Shim Kit Ø4,2mmxØ2,0	240 pieces for Common Rail	4,2	2,0	1
15112	Shim Kit Ø4,5mmxØ2,0	240 pieces for Common Rail	4,5	2,0	1
15114	Shim Kit Ø5,3mmxØ2,4	240 pieces for Common Rail	5,3	2,4	1
15116	Shim Kit Ø5,5mmxØ3,4	210 pieces for Common Rail	5,5	3,4	1



1

PUMP TOOL KIT

OUR REF	DESCRIPTION
15900	Pump P
15901	Pump P7100/P7800
15902	Pump P8500
15903	Pump M
15904	Pump MW
15905	Pump VE
15906	Pump VA
15910	Pump DPC-DPS
15911	Pump DPA
15915	Pump CP1
15916	Pump CP3
15930	Pump Denso DE
15933	Pump Denso EP9
15935	Pump DP200
15950	Pump EPIC 70
15952	Pump EPIC 80
15954	Pump EPIC 70 II and III series



For the dismantling and assembly of diesel fuel injection pumps we offer a range of Service Tool Kits supplied in robust carrying cases.





The calibrating nozzle and holder assemblies are used on the test bench and are intended to simulate closely the function of the nozzle and holder assembly in the fuel injection system of a compression-ignition (diesel) engine.

They are flow gauges manufactured according to ISO4010, ISO7440 and ISO14681 requirements.

They require careful handling and maintenance, according to ISO 4008/3 guide lines.

CALIBRATING INJECTORS SUITABLE FOR BOSCH

OUR REF	STAMPING	DESCRIPTION
11200	0681 343 009	
11201	1688 901 000	
11215	1688 901 015	
11216	1688 901 016	
11217	1688 901 017	
11218	1688 901 018	
11219	1688 901 019	
11220	1688 901 020	
11222	1688 901 022	Group 3
11223	1688 901 023	Group 2
11225	1688 901 025	Group 2
11227	1688 901 027	Group 2
11251	1688 901 101	Group 1
11252	1688 901 102	Group 1
11253	1688 901 103	Group 1
11254	1688 901 104	Group 1
11255	1688 901 105	Group 1
11256	1688 901 106	Group 1
11259	1688 901 109	Group 1
11260	1688 901 110	Group 1
11261	1688 901 111	
11262	1688 901 112	
11263	1688 901 113	
11264	1688 901 114	Group 4
11265	1688 901 115	
11266	1688 901 116	Group 4
11267	1688 901 117	

CALIBRATING NOZZLE SUITABLE FOR BOSCH

OUR REF	STAMPING	DESCRIPTION
11000	0681 443 014	DN12SD 12
11001	1688 901 987	
11002	1688 901 988	
11003	1688 901 990	
11004	1688 901 991	
11005	1688 901 992	DN0SD 1510
11006	1688 901 999	

OREFICE PLATE SUITABLE FOR BOSCH

OUR REF	STAMPING	DESCRIPTION
11100	1680 103 094	Ø 0,4
11101	1680 103 095	Ø 0,5
11102	1680 103 096	Ø 0,6
11103	1680 103 097	Ø 0,7
11104	1680 103 098	Ø 0,8

NOZZLE SPACER SUITABLE FOR BOSCH

OUR REF	DESCRIPTION
11400	Nozzle spacer for Group 1
11401	Nozzle spacer for Group 2
11402	Nozzle spacer for Group 3
11403	Nozzle spacer for Group 4

DAMPER SUITABLE FOR BOSCH

OUR REF	DESCRIPTION
11420	Damper for all types of calibrating injectors





SUMMARY TABLE

Bar	Press. Calibrating Injector		Calibrating nozzle		Orefice plate		Nozzle spacer		Damper	
	Our Ref.	Stamping	Our Ref.	Stamping	Our Ref.	Stamping	Our Ref.	Stamping	Our Ref.	Stamping
172	11200	0681 343 009	11000	0681 443 014	-	-			11420	-
147	11201	1688 901 000	11000	0681 443 014	-	-			11420	-
207	11215	1688 901 015	11006	1688 901 999	11100	1680 103 094			11420	-
207	11216	1688 901 016	11006	1688 901 999	11101	1680 103 095			11420	-
207	11217	1688 901 017	11006	1688 901 999	11102	1680 103 096			11420	-
207	11218	1688 901 018	11006	1688 901 999	11103	1680 103 097			11420	-
207	11219	1688 901 019	11006	1688 901 999	11104	1680 103 098			11420	-
172	11220	1688 901 020	11006	1688 901 999	11102	1680 103 096			11420	-
130	11222	1688 901 022	11005	1688 901 992	-	-	11403	-	11420	-
172	11223	1688 901 023	11004	1688 901 991	11100	1680 103 094	11401	-	11420	-
172	11225	1688 901 025	11004	1688 901 991	11101	1680 103 095	11401	-	11420	-
250	11227	1688 901 027	11004	1688 901 991	11101	1680 103 095	11401	-	11420	-
207	11251	1688 901 101	11003	1688 901 990	11102	1680 103 096	11400	-	11420	-
250	11252	1688 901 102	11003	1688 901 990	11102	1680 103 096	11400	-	11420	-
207	11253	1688 901 103	11003	1688 901 990	11103	1680 103 097	11400	-	11420	-
250	11254	1688 901 104	11003	1688 901 990	11103	1680 103 097	11400	-	11420	-
207	11255	1688 901 105	11003	1688 901 990	11104	1680 103 098	11400	-	11420	-
250	11256	1688 901 106	11003	1688 901 990	11104	1680 103 098	11400	-	11420	-
207	11259	1688 901 109	11003	1688 901 990	11101	1680 103 095	11400	-	11420	-
250	11260	1688 901 110	11003	1688 901 990	11101	1680 103 095	11400	-	11420	-
147	11261	1688 901 111	11002	1688 901 988	-	-			11420	-
172	11262	1688 901 112	11002	1688 901 988	-	-			11420	-
207	11263	1688 901 113	11002	1688 901 988	-	-			11420	-
207	11264	1688 901 114	11001	1688 901 987	11100	1680 103 094	11404	-	11420	-
250	11265	1688 901 115	11001	1688 901 987	11100	1680 103 094			11420	-
207	11266	1688 901 116	11001	1688 901 987	11101	1680 103 095	11404	-	11420	-
250	11267	1688 901 117	11001	1688 901 987	11101	1680 103 095			11420	-





COMPARISON LIST

LISTA CORRISPONDENZE – LISTE DE CORRESPONDANCE
LISTA DE EQUIVALENCIAS – NUMMERNVERGLEICHSLISTE



Important notice: All the parts herein are manufactured by Seven Diesel S.p.A.. Other manufacturer's names, symbols, code numbers are quoted for reference purposes only and do not imply that any part listed in this catalogue is the product of these manufactures.



COMPARISON LIST



STAMPING	OUR REF
AMERICAN BOSCH	
BC400616	89740
BC76437-3A	89753
VA76189-A	VAB44141
VA76196-A	VAB44142
VA76272-1A	96650
BCD	
1529/1	38079
1533/2A	38080
1535/2	38081
1537/1	380817
1549/1	38082
1647/1	38083
1660/1	38085
1662/7	38086
1666/5	38088
1669/5	38089
1678/2	38093
1686	38098
1687/1	38099
1695/1	380995
1706/5	38100
1752/1	38102
1796	38136
1808/6	38148
1812	38150
1823	38156
1829/1	38159
1832/1	38160
1838/6	38163
1855/7	38169
1873/5	38175
1877/1	38177
1881	38198
1886/5	381986
1899/5	38199
1902/5	38202
1905/5	38205
1910/5	38210
1911/5	38211
1920/6	38220
1921/6	38221
1927/5	38227
1928/5	38228
1929/5	38229
1930/5	38230
1941/5	38241
1942/1	38242
1943/1	38243
1946/5	38246
1947/6	38247
1949/5	38249
1958/5	38258
1959/6	38259
1960/5	38260
1961/7	38261
1962/5	38262
1963/1	38263
1967/5	38267
1969/5	38269
1981/5	38281
1983/5	38282
2513	38313

STAMPING	OUR REF
BCD	
2514	38314
2515	38315
2518/5	38318
2522/6	38322
2541/5	38341
2545/6	38345
2557	38357
2563	38363
2567	38367
2570	38370
2575	38375
2589	38389
2591/3	38391
2597	38397
2604	38404
2608	38408
2609/1	38409
2637	38437
2641/1	38441
2658/2	38458
2659	38459
2660/1	38460
2665	38465
2670/2	38470
2671	38471
2672	38472
2673	38473
2674	38474
2675	38475
2677	38477
2680	38480
2682	38482
2683	38483
2685/1	38485
2686/1	38486
2688	38488
2689	38489
2697	38497
2698	38498
2702	384983
2705	384985
2710/1	38499
2714	38501
2723	38509
2727	38511
50011006	38003
50031177	38005
50031238	38006
50033176	38007
50033240	38009
50041001	38017
50041018	380172
50043040	38019
50070008	38020
50071003	38021
50080006	38022
50081007	380224
50083003	380227
50083027	380229
51081005	380232
52071000	38024
52080073	380249
52080074	38025

COMPARISON LIST

STAMPING	OUR REF
BCD	
52080076	38026
52081068	38027
52081070	380272
52170034	380274
52171038	38028
53111005	38030
55340000	38038
59000253	38041
BELARUS-KAMAZ	
133-01	89850
39995	39995
ESB 80	89820
ESB 80 + VSB3	89821
ESB 90	89822
T62	89838
VSB 3	96701
VSB 7	96707
BERU	
154 GS-GSF	SD2008
161 GS	SD730
GF 166	SD2088
GF 177	SD2090
BOSCH	
0257 100 006	SD4200
0257 100 009	SD4202
0257 100 010	SD4204
0330 001 015	S33015
0330 001 016	S33016
0330 001 018	S33018
0330 001 021	S33021
0330 001 025	S33025
0330 001 028	S33028
0330 001 040	S33040
0330 001 041	S33041
0330 001 042	S33042
0330 001 043	S33043
0330 001 047	S33047
0430 133 981	39600
0430 133 989	39613
0430 133 994	39599
0430 211 048	39436
0430 211 052	39442
0430 221 031	39553
0430 232 013	39574
0430 233 018	39580
0431 113 969	39318
0431 114 987	39364
0431 114 996	39379
0431 114 997	39407
0431 213 982	39312
0431 214 991	39330
0431 214 997	39380
0432 231 775	39652
0432 291 654	39654
0432 291 655	39655
0440 003 141	30010
0440 003 148	30013
0440 003 176	30016
0440 003 177	30017
0440 003 190	30020

STAMPING	OUR REF
BOSCH	
0440 003 201	30023
0440 003 229	30026
0440 003 998	30029
0440 004 040	30035
0440 004 043	30038
0440 004 048	30039
0440 007 014	30042
0440 008 003	30047
0440 008 004	30048
0440 008 007	30051
0440 008 009	30053
0440 008 027	30060
0440 008 028	30061
0440 008 030	30063
0440 008 040	300632
0440 008 049	300633
0440 008 062	3006339
0440 008 068	300634
0440 008 069	300635
0440 008 071	300636
0440 008 072	300637
0440 008 074	300638
0440 008 076	300639
0440 008 082	3006395
0440 008 084	30064
0440 008 089	300649
0440 008 092	300652
0440 008 108	300658
0440 008 989	300679
0440 008 994	300682
0440 008 998	300685
0440 011 002	30070
0440 011 003	30071
0440 011 007	30072
0440 011 008	30073
0440 011 009	30074
0440 011 010	30075
0440 011 011	30076
0440 011 013	30078
0440 011 015	30079
0681 343 009	11200
0681 443 014	11000
1230 203 001	30080
1410 105 001	30086
1410 105 003	30087
1410 206 020	30090
1410 206 022	30091
1410 206 023	30092
1417 010 001	30115
1417 010 002	30117
1417 010 003	30118
1417 010 004	30120
1417 010 007	30122
1417 010 008	30123
1417 010 009	30124
1417 010 011	30126
1417 010 012	30127
1417 010 013	301273
1417 010 997	301277
1417 413 000	30128
1417 413 001	30129
1417 413 012	30134
1417 413 060	30140



COMPARISON LIST



BOSCH	
1418 305 505	80105
1418 305 518	80108
1418 305 525	80111
1418 305 528	80112
1418 305 540	80114
1418 320 003	80015
1418 320 045	80120
1418 321 039	800941
1418 323 013	80143
1418 324 020	80147
1418 325 018	80074
1418 325 019	80075
1418 325 020	80076
1418 325 021	80077
1418 325 022	80078
1418 325 023	80079
1418 325 024	80080
1418 325 032	80152
1418 325 039	80156
1418 325 077	80160
1418 325 095	80164
1418 325 096	80165
1418 325 103	80171
1418 325 124	80173
1418 325 128	80175
1418 325 135	80179
1418 325 137	80181
1418 325 142	80186
1418 325 145	80189
1418 325 156	80192
1418 325 157	80193
1418 325 159	80194
1418 325 895	80200
1418 325 898	80202
1418 340 000	80001
1418 405 002	80060
1418 405 004	80062
1418 415 051	802117
1418 415 066	80212
1418 415 081	802124
1418 415 082	802125
1418 415 181	802129
1418 421 024	80215
1418 421 046	80222
1418 425 017	80086
1418 425 018	80087
1418 425 019	80088
1418 425 020	80089
1418 425 021	80090
1418 425 051	80249
1418 425 081	80256
1418 425 099	80273
1418 425 109	80281
1418 425 124	80294
1418 450 003	80325
1418 450 004	80326
1418 450 005	80327
1418 502 001	90005
1418 502 013	90026
1418 502 015	90027
1418 502 201	90041
1418 502 203	90043
1418 522 005	90006

BOSCH	
1418 522 009	90010
1418 522 011	90011
1418 522 017	90014
1418 522 019	90015
1418 522 047	90047
1418 522 053	90053
1418 522 055	90055
1418 522 057	90057
1418 522 061	90061
1418 522 067	90067
1418 522 201	90075
1418 522 205	90077
1418 524 015	90085
1418 542 006	90004
1418 542 018	90007
1418 542 022	90008
1418 562 001	VBD40001
1418 562 009	VBD40071
1418 592 003	VBD40002
1418 592 201	VBD40007
1420 026 000	30150
1420 283 001	30156
1420 503 006	30165
1420 503 022	30169
1420 503 024	30171
1420 503 028	30175
1420 503 905	30185
1427 010 002 (S)	30220
1427 010 003	30222
1450 410 011	30250
1457 413 010	30260
1457 434 000	30275
1457 434 002	30276
1460 210 008	30280
1460 324 333	30285
1460 400 004	30290
1460 400 014	30291
1467 010 036	30300
1467 010 050	30305
1467 010 059 LD	30314
1467 010 059 SS	30315
1467 010 059 X	30312
1467 010 059A	30311
1467 010 467	30367
1467 010 520	303674
1467 045 046	30368
1468 522 000	90100
1468 522 029	90129
1468 522 205	90205
1468 522 249	90249
1468 522 251	90251
1468 522 258	90258
1468 522 273	90273
1468 522 298	90298
1468 532 203	90303
1468 532 215	90315
1468 532 233	90333
1468 532 234	90334
1468 532 238	90338
1468 532 257	90357
1468 532 278	90358
1680 103 094	11100
1680 103 095	11101

COMPARISON LIST

BOSCH	
1680 103 096	11102
1680 103 097	11103
1680 103 098	11104
1688 901 000	11201
1688 901 015	11215
1688 901 016	11216
1688 901 017	11217
1688 901 018	11218
1688 901 019	11219
1688 901 020	11220
1688 901 022	11222
1688 901 023	11223
1688 901 025	11225
1688 901 027	11227
1688 901 101	11251
1688 901 102	11252
1688 901 103	11253
1688 901 104	11254
1688 901 105	11255
1688 901 106	11256
1688 901 109	11259
1688 901 110	11260
1688 901 111	11261
1688 901 112	11262
1688 901 113	11263
1688 901 114	11264
1688 901 115	11265
1688 901 116	11266
1688 901 117	11267
1688 901 987	11001
1688 901 988	11002
1688 901 990	11003
1688 901 991	11004
1688 901 992	11005
1688 901 999	11006
1900 910 201	30370
2410 206 007	30387
2417 010 001	30401
2417 010 003	30403
2417 010 004	30404
2417 010 008	30408
2417 010 009	30409
2417 010 010	30410
2417 010 011	30411
2417 010 021	30421
2417 010 022	30422
2418 305 007	80337
2418 305 010	80340
2418 325 004	80354
2418 403 002	80369
2418 450 000	80400
2418 450 002	80402
2418 450 011	80411
2418 450 017	80417
2418 450 025	80425
2418 450 030	80430
2418 450 032	80432
2418 450 034	80434
2418 450 040	80440
2418 450 048	80448
2418 450 051	80451
2418 450 066	80466
2418 450 067	80467

BOSCH	
2418 450 069	80469
2418 450 070	80470
2418 450 081	80481
2418 450 095	80495
2418 450 096	80496
2418 450 104	80504
2418 450 108	80508
2418 450 112	80512
2418 450 114	80514
2418 450 116	80516
2418 451 002	80552
2418 455 002	80602
2418 455 012	80612
2418 455 016	80616
2418 455 022	80622
2418 455 029	80629
2418 455 034	80634
2418 455 037	80637
2418 455 038	80638
2418 455 040	80640
2418 455 055	80655
2418 455 063	80663
2418 455 069	80669
2418 455 071	80671
2418 455 072	80672
2418 455 074	80674
2418 455 090	80690
2418 455 091	80691
2418 455 095	80695
2418 455 097	80697
2418 455 122	80702F
2418 455 129	80705F
2418 455 130	80706F
2418 455 134	80708F
2418 455 135	80709F
2418 455 165	80718F
2418 455 166	80719F
2418 455 182	80732F
2418 455 196	80736F
2418 455 202	80752
2418 455 226	80766
2418 455 229	80769
2418 455 249	80771
2418 455 254	807714
2418 455 308	807719F
2418 455 309	80772F
2418 455 324	80773F
2418 455 325	80775F
2418 455 333	80778F
2418 455 338	80780F
2418 455 356	80783F
2418 455 508	80790F
2418 455 518	80792F
2418 455 548	807934F
2418 502 001	90028
2418 502 003	90360
2418 552 001	90032
2418 552 003	90029
2418 552 005	90030
2418 552 007	90031
2418 552 015	90385
2418 552 019	90387
2418 552 021	90388



COMPARISON LIST

STAMPING

OUR REF

STAMPING

OUR REF



BOSCH	
2418 552 027	90390
2418 552 029	90392
2418 552 035	90395
2418 552 039	90397
2418 552 049	90399
2418 552 051	90401
2418 552 053	90402
2418 552 065	90403
2418 552 069	90404
2418 552 073	904045
2418 552 103	904048
2418 552 145	904049
2418 554 001	90033
2418 554 003	90034
2418 554 005	90405
2418 554 007	90407
2418 554 009	90409
2418 554 011	90411
2418 554 013	90413
2418 554 017	90417
2418 554 027	90427
2418 554 029	90429
2418 554 033	90433
2418 554 037	90437
2418 554 039	90439
2418 554 043	90443
2418 554 045	90445
2418 554 047	90447
2418 554 049	90449
2418 554 051	90451
2418 554 055	90455
2418 554 057	90457
2418 554 061	90461
2418 554 063	90463
2418 554 065	90465
2418 554 067	90467
2418 554 069	90469
2418 554 073	90473
2418 554 077	90477
2418 559 009	90509
2418 592 039	VBD40139
2420 503 002	30441
2420 503 014	30442
2422 120 052	30443
2427 010 001	30444
2430 100 048	30445
2430 105 009	304451
2430 105 010	304452
2430 105 011	304453
2430 105 012	304454
2430 105 020	304455
2430 105 021	304456
2430 105 022	304457
2430 105 023	304458
2430 105 026	304459
2430 105 027	30446
2430 105 035	304461
2430 105 042	304462
2430 105 044	304463
2430 105 046	304464
2430 105 049	304465
2430 105 050	304466
2430 134 023	30447

BOSCH	
2430 136 031	304472
2430 136 085	304474
2430 136 133	304476
2430 136 145	304478
2430 136 166	30448
2430 136 167	304481
2430 136 191	304483
2430 136 197	304485
2430 136 202	304487
2430 136 206	304489
2430 136 212	304491
2430 136 221	304497
2430 422 002	30450
2430 422 004	304503
2430 422 005	304505
2430 422 011	304507
2430 422 019	304509
2433 120 127	30451
2433 124 137	304511
2433 124 161	304513
2433 124 306	304516
2433 124 376	30452
2433 124 379	304521
2433 124 380	304522
2433 124 388	304524
2433 124 446	304526
2433 314 042	304528
2433 314 153	304530
2433 349 458	304538
2434 614 010	304554
2434 619 017	304556
2434 619 040	304558
2434 619 047	304559
2434 619 048	3045591
2440 520 022	30456
2444 615 006	30470
2447 010 004	30475
2447 010 004S	30476
2447 010 010	30477
2447 010 011	304771
2447 010 016	30478
2447 010 017	304781
2447 010 018	304782
2447 010 019	30480
2447 010 021	30482
2447 010 023	30483
2447 010 024	30484
2447 010 027	30487
2447 010 033	30488
2447 010 035	30490
2447 010 045	304881
2447 222 000 (099)	30500
2447 222 000 B	30502
2447 222 001	30505
2447 222 012	30507
2447 222 020	30508
2447 222 125	30512
2447 419 000 (002)	30515
2454 642 000	30520
2457 434 009	30525
2459 999 002	30530
2916 710 610	30560
3418 301 003	80803

COMPARISON LIST

STAMPING

OUR REF

STAMPING

OUR REF

BOSCH	
3418 301 006	80806
3418 303 000	80820
3418 303 002	80822
3418 303 003	80823
3418 303 005	80825
3418 305 004	80844
3418 305 009	80849
3418 405 003	80883
3418 405 004	80884
3418 405 005	80885
3418 424 002	80894
3418 425 006	80896
3418 502 014	90614
3418 502 016	90616
3418 502 045	90625
9401 083 503	80908
9401 087 616	80916
9421 080 068	30580
DN0SD 1510	11005
EPME 17P15	30175
EPME 17S2	30169
EPME 17S6	30171
EPME 17S96	30185
EPME 1P7	30165
EPPK 22154	80060
EPPK 22156	80062
EPPK 320P10	80080
EPPK 320P4	80074
EPPK 320P5	80075
EPPK 320P6	80076
EPPK 320P7	80077
EPPK 320P8	80078
EPPK 320P9	80079
EPPK 321P10	80090
EPPK 321P6	80086
EPPK 321P7	80087
EPPK 321P8	80088
EPPK 321P9	80089
EPPK 625/8	800941
EPVE 235P6	90026
EPVE 235P7	90027
EPVE 235P8	90028
EPVE 286P1	90029
EPVE 286P2	90030
EPVE 288P1	90031
EPVE 288P2	90032
EPVE 289P1	90033
EPVE 289P2	90034
F000 401 157	80983
F000 401 458	80990
F00V X99 999	30590
KBEL100S 31	39330
KBEL108P 51	39364
KBEL109P 11/13	39379
KBEL109S 6/13	39380
KBEL117P 7/4	39407
KBEL83S 35	39312
KBEL98P 74	39318
KCA17S 42	39442
KCA30S 36/4	39436
KD43SA 53/13	39553
KDAL74S 21/19	39574
KDAL80S 42	39580

BOSCH	
KDEL82P 23	39600
KDEL82P 7	39599
KDEL97P 13	39613
PPK 1/1	80001
PPK 57/1	80015
PVE 161P14	90014
PVE 161P16	90015
PVE 161S1	90010
PVE 161S2	90011
PVE 30/1	90004
PVE 4/1	VBD40001
PVE 4/2	VBD40002
PVE 50/1	90005
PVE 50S5	90006
PVE 64/1	90007
PVE 64/3	90008
PVE 7/1	VBD40007
PVE 71/1	VBD40071

CATERPILLAR	
108 2104	86000
108 6630	39630
108 6631	86001
108 6633	39633
108 6634	39634
142 2818	86003
1P 3409	39640
1P 6400	86005
1W 3010	86010
1W 6539	396412
1W 6541	86012
1W 6987	96901
1W6539	39641
2S 1631	96903
2S 7264	39643
3F 0305	96905
3S 1467	39665
3S 8336	86015
4N 1132	39682
4N 4997	86040
4N 8898	39683
4P 9827	39684
4P 9830	860405
4S 5758	86041
4S 7913	86045
4W 0788	39685
6N 1042	39688
6N 1043	39689
6N 1133	39690
6N 7527	86060
6N 7829	39691
6V 4788	396912
7C 8927	396914
7N 1183	86068
7N 1185	39692
7N 1219	396923
7N 1220	86070
7N 1410	96911
7N 5148	96915
7N 5301	396926
7S 6681	86072
7W 0182	86076
7W 0561	39693



COMPARISON LIST



STAMPING OUR REF

CATERPILLAR	
7W 5928	39694
7W 5929	86077
8M 2667	39695
8M 3138	39710
8M 3280	39715
8M 9753	39720
8M 9755	39725
8M 9758	39730
8N 1414	96917
8N 3539	86080
8N 4997	39740
8S 3656	86082
8S 4175	96918
9B 1320	96920
9H 2256	39756
9H 5746	96926
9H 5796	86090
9H 5797	86092
9H 5797 Assy	86092A
9L 4102	86095
9L 6863	39763
9N 0593	96928
9Y 0510	39770

DELPHI

185 4040	SD0240
185 4050	SD400
185 4060	SD0260
185 4080	SD724
185 4090	SD0290
185 4101	SD0301
185 4102	SD430
185 4103	SD0303
185 4104	SD0304
185 4105	SD0305
185 4106	SD734
185 4109	SD0309
185 4111	SD0311
185 4117	SD0317
5330-344	20054
5339-964	20094
5339-966	20096
5393-252R	20120
5393-252U	20122
5855-30 BB	20164
5855-30 BC	20166
5855-30 BD	20168
5855-30 BE	20169
5855-30 BF	20170
5855-30 BR	20172
5855-30 DQ	20175
5855-30 DR	20174
5936-177	20212
5936-332C	20226
5936-58R	20205
7008-187	20237
7008-902	20272
7010-562P	82008
7010-562U	82013
7010-562X	82015
7010-586	92250
7010-586D	92251
7010-586F	92252

STAMPING OUR REF

DELPHI	
7010-586J	92253
7022-180B	20315
7022-180D	20317
7032-103	82029
7032-103A	82030
7032-83B	82025
7032-91	82028
7033-359	92254
7033-361	92255
7033-361A	92256
7034-19A	20350
7034-19B	20351
7034-19C	20352
7034-19H(D)	20353
7097-216	92260
7097-216A	92261
7097-216C	92262
7097-269	92265
7097-339	92266
7097-529	92267
7097-597	92268
7097-597B	92269
7118-227	92271
7118-227B	922715
7118-229	92272
7118-229C	92273
7118-239	92276
7118-239A	92277
7118-239B	92278
7118-241	92279
7123-15G	20431
7123-308N	20488
7123-308T	204887
7123-309D	20489
7123-309E	20449
7123-340G	20503
7123-340K	20502
7123-340L	20501
7123-340R	20504
7123-340S	20506
7123-340T	20507
7123-340U	20508
7123-340W	20510
7123-345T	20515
7123-345U	20517
7123-345W	20518
7123-351B	205181
7123-352B	205182
7123-359M	20519
7123-388	20525
7123-439	20528
7123-490	20530
7123-490A	20531
7123-490C	20532
7123-490E	20533
7123-549	20549
7123-576L	20556
7123-576M	20558
7123-576P	20560
7123-620	20573
7123-724	20577
7123-725B	20579
7123-770	20582

COMPARISON LIST

STAMPING OUR REF

DELPHI	
7123-770A	20583
7123-770D	20584
7123-770Q	20585
7123-781	20588
7123-781A	20589
7123-909T	20609
7123-909U	20611
7123-930	20630
7123-980	20680
7133-114	20654
7135-110	20700
7135-110S	20702
7135-112	207025
7135-114	20703
7135-116	20704
7135-120	20706
7135-121	20707
7135-122	20708
7135-123	20709
7135-124	20710
7135-126	20712
7135-181	20718
7135-220	20720
7135-486	20723
7135-70	20674
7135-70S	20675
7135-72	20677
7135-74	20670
7135-788	20727
7135-78D	20691
7135-81	20693
7135-84	20694
7135-84S	20695
7135-92	20697
7139-115	20746
7139-159A	20750
7139-159B	20751
7139-223	20760
7139-235N	20765
7139-28A	20730
7139-344	20775
7139-422W	20778
7139-540	20780
7139-559	20782
7139-559B	20783
7139-559D	20785
7139-709W	20799
7139-74B	20744
7139-763E	20802
7139-764S	20803
7139-764T	20806
7167-620A	S71672
7167-620B	S71673
7167-620D	S71674
7169-539	20830
7173-56	92280
7173-57	92281
7173-58	92282
7174-476	20859
7174-828E	20861
7174-828L	20863
7174-980A	20864
7175-856	20867

STAMPING OUR REF

DELPHI	
7180-049A	S71802
7180-049D	S71804
7180-550G	20503
7180-550K	20502
7180-550L	20501
7180-550R	20504
7180-550S	20506
7180-550T	20507
7180-550U	20508
7180-550W	20510
7180-559T	20515
7180-559U	20517
7180-559W	20518
7180-571T	20609
7180-571U	20611
7180-578M	20519
7180-593N	20765
7180-611W	20799
7180-616S	20803
7180-616T	20806
7180-759W	20778
7185-900G	S71852
7185-900K	S71853
7185-900P	S71855
7185-900T	S71857
7185-900W	S71859
9002-258E	20868
9009-041	S90093
9009-049	S90095
9009-088A	20890
9009-089A	20893
9045-84	20869
9080-129C	20870
9100-178A	20871
9100-179D	20872
9100-199A	20875
9100-328D	S91020
9100-827F	S91037
9100-898B	S91047
9100-971B	S91057
9100-976N	S91067
9103-009-A-N-AN	20898
9107-404	21007
9108-073A	S91081
9108-147C	S91083
9108-152A	S91085
9108-153A	S91087
9108-154B	S91089
9109-013A	21020
9109-220	21032
9109-230	21034
9109-239	S91090
9109-241	S91091
9109-262A	S91092
9145-040D	S91454
9185-900G	S91854
9185-900H	S91856
NW5-15W4	21074
NW5-17W4	21078
NW5-18W4	21084
NW5-34W4	21089
NW5-77W4	21095
NW5-8W4	21069



COMPARISON LIST



STAMPING	OUR REF
DELPHI	
NW5-9W4	21070
DENSO	
1790	83215
090140-1350	93750
090140-1470	93870
090150-1151	83205
090150-1161	83201
090150-1570	83077
090150-1790	83215
090150-2140	83100
090150-2210	83105
090150-2280	83107
090150-2600	83135
090150-2610	83136
090150-2960	83145
090150-2990	83148
090150-3050	83155
090150-3330	83170
090150-4693	83236
090150-4810	83240
090150-4910	83242
090580-0021	33221
090580-0041	33241
096010-0010	33310
096010-0020	33320
096010-0030	33330
096010-0500	596500
096030-0070	597070
096030-0080	597080
096030-0160	597160
096030-0170	597170
096446-0100	33406
1021	83201
1151	83205
1350	93750
157.0	83077
214.0	83100
221.0	83105
228.0	83107
260.0	83135
261.0	83136
296.0	83145
299.0	83148
305.0	83155
333.0	83170
4693	83236
4810	83240
4910	83242
E1470	93870
DEUTZ-FAHR	
213 7571	39150
214 414	39158
258 271 D3	96400
EKM	
EKM 50	96750
FIAT	
767945	94310
769691	94091
769803	94092

STAMPING	OUR REF
FIAT	
775309	84519
EPPK 200F3	84053
EPPK 200F5	84055
EPPK 202F5	84065
EPVE 310F1	94310
EPVE 90F1	94091
EPVE 90F2	94092
GK301	32301
GK302	32302
PPK 151F3	84009
PPK 151F4	84010
PPK 152F2	84012
PPK 563F11	84111
PPK 573F14	84114
FORD-NAVISTAR	
6000/31 Standard	886000
6001/31 Standard	886001
6060/31 Prime	886060
6061/31 Prime	886061
7100/31 Standard	887100
7160/31 Prime	887160
7161/31	887161
F&M	
46/AA	96450
DV 25	96425
FM 3.9	89601
FM 8.3a	89608
FM 8.4S	89612
FM 95.16U	89620
GM	
519 5078	39828
522 6400	39853
522 8101	86513
522 8104	39866
522 8126	86516
522 8304	86519
522 8306	86522
522 8378	86525
522 8495	86534
522 8528	86537
522 8530	86540
522 8549	86543
522 8552	86546
522 8569	86549
522 8587	39895
522 8594	39900
522 8596	39902
522 8601	39906
522 8656	86552
522 8658	86555
522 8661	86558
522 8668	86561
522 8682	86570
522 8684	86573
522 8691	86576
522 8749	86579
522 8760	39916
522 8766	39920
522 8770	39923
522 8773	39943

COMPARISON LIST

STAMPING	OUR REF
GM	
522 8774	39944
522 8777	39947
522 8780	39950
522 8783	39953
522 8785	39955
522 8790	39958
522 8795	39959
522 8804	86580
522 8878	86582
522 8900	39960
522 8928	86585
522 9180	39964
522 9282	865852
522 9292	86586
522 9345	39968
522 9360	39970
522 9362	86587
522 9365	39973
522 9366	86588
522 9372	86592
522 9395	39975
522 9400	39976
522 9405	39977
522 9410	39978
522 9513	86613
522 9625	39980
522 9630	39983
522 9649	39985
522 9657	86657
522 9695	39988
522 9705	86705
522 9782	86782
522 9808	86808
522 9814	86814
522 9820	39989
522 9823	86823
522 9828	86828
522 9884	86884
522 9912	86912
522 9916	86916
LUCAS-BRYCE	
1/304A	91150
1/317	91151
1/338	911514
1/342	911517
1/387	91152
1/490	91153
1/490A	911535
1/559	81038
1/594	91154
1/598	91156
11/103A	91160
11/103AB	91161
11/103AC	91162
11/103B	91170
11/103BB	91172
11/108BC	81107
11/108BK	81115
11/108DC	81120
11/108FB	81124
13/153A	91180
13/153B	91182

STAMPING	OUR REF
LUCAS-BRYCE	
13/153C	91184
13/154A	91190
13/154B	91192
13/154C	91194
D36/54E	VBR36154
LUCAS-SIMMS	
24505	25035
25883	25045
26218	25055
500119	25090
500120	25091
500423	25110
500740	25120
500745	25130
501112	25120
506800	25190
506801	25191
506806	25196
506807	25197
506808	25198
7990361	26240
84091	25070
A24499	95550
A26528	95551
A500032	95557
A500143	95558
A500448	95559
A500662	95560
A501932	95562
A502130	95563
A503240	85440
A503241	85441
A503243	85443
A503410	95565
A503571	95568
A503673	85573
A503674	85574
A504392	95570
A504425	95571
A504660	95572
A504661	95573
A504787	95577
A504864	95579
A505288	95581
A505480	95585
A505487-1	95587
A505673	95589
A506409	95591
A507464-1	95593
A507467-1	95594
A507468-1	95595
A507474-1	95597
A507477-1	95598
A507500	95600
A507503-1	95603
A507504-1	95604
A507505-1	95605
A507506-1	95606
A507507-1	95607
A507511-1	95611
A507515-1	95615
A512505-54	85918



COMPARISON LIST



STAMPING	OUR REF
LUCAS-SIMMS	
A512506-53	85938
A512506-63	85943
A512506-72	85952
A515476-1	95630
PA82002	95502
PA84055	95505
PA85905	85005
MOTORPAL	
60041-06	96500
60041-09	96501
60041-20	96502
60041-21	96503
60041-25	96504
60041-37	96505
60400-35	89801
EA8Pg	89801
OMAP	
OVE 201	96821
OVE 243	96843
OVE 260	96860
OVE 388	96878
RUSTON	
FPB 36/37	96605
FYB 20020	96610
SIGMA	
209 756	96631
211066	35166
211066 C-D	35168
216 991	96633
320 415	96635
CMC 805	89508
CMC 905	89519
CMX	35170
LM 32	35032
LM 52(A)	35038
SKL	
204 741	VSK42204
222.132835-43	VSK41121
222.204-741-76	VSK42204
222.305-641-74	VSK42218
305 641	VSK42218
601-25814	VSK41121
STANADYNE	
30721	96941
787928	96958
ZEXEL	
0 5A	93105
0 9A	93109
016630-2030	33020
028001-7010	33025
029622-0220	33026
096039-0040	33028
12A	93712
131110-2320	93003
131110-2920	93009
131110-3020	93010

STAMPING	OUR REF
ZEXEL	
131110-3920	93020
131110-4320	93024
131110-4520	93026
131110-4720	93028
131110-5120	93032
131110-5220	93033
131110-5520	93036
131110-5920	93040
131110-6220	93043
131110-6420	93045
131110-6820	93049
131110-7720	93058
131110-7920	93060
131110-8020	93061
131110-8820	93069
131110-9420	93075
131110-9920	93080
131151-0120	83417
131151-1420	83430
131151-2220	83438
131151-2720	83443X
131151-3220	83444
131151-3720	83452X
131151-3920	83454
131151-5120	83467X
131151-5820	83474
131151-5920	83475
131151-6220	83478X
131151-7320	83489
131151-8120	83498X
131151-8620	83503X
131151-9720	83515X
131151-9820	83517
131152-0020	83522
131152-0120	83520
131152-0320	83525
131152-1420	83538
131152-2120	83546
131152-3020	83557
131152-3120	83558
131152-3320	83560
131152-3420	83561
131152-3520	83562
131152-4020	83568
131152-4320	83572
131152-4820	83577
131152-5020	83580
131152-5320	83583
131152-5620	83588
131152-6820	83604
131152-7320	83610
131152-8020	83620
131152-8520	83622
131152-9320	83625
131153-0520	83546X
131153-4320	83632X
131153-7920	836348X
131153-8210	836358X
131153-8920	836352X
131153-9220	836355X
131154-3220	83628
131160-0320	93084
131160-0420	93085

COMPARISON LIST

STAMPING	OUR REF
ZEXEL	
131160-0520	93086
131160-1520	93096
131160-2220	93105
131160-2620	93109
131160-2920	93712
131160-3620	93720
131160-5320	93724
131499-2420	33029
132112-0200	33030
134101-1420	83314
134101-1520	83315
134101-1620	83316
134101-1820	83317
134101-3820	83323
134101-4420	83328
134101-5220	83331
134101-5820	83337
134101-6420	83340
134101-8720	83346
134101-9120	83347
134110-0120	93301
134110-0420	93303
134110-0520	93304
134110-0920	93308
134110-1420	93313
134110-1720	93316
134110-2020	93319
134110-2120	93320
134110-2420	93323
134110-4220	93341
134110-4420	93343
134110-4520	93344
134110-5420	93353
134110-6320	93362
134110-7220	93371
134110-7420	93373
134110-7520	93374
134110-7820	93377
134110-8520	93384
134110-8620	93385
134110-8920	93388
134151-0420	83350
134151-1120	83353
134151-2320	83355
134151-3420	83363
134151-3720	83367
134151-4120	83369
134151-8520	83375
134152-4920	83389
140110-3620	93215
140110-4020	93220
140151-1920	83636
140151-6420	83637
140153-9020	83639
141156-1720	83801
146430-1420	598020
146432-0000	33050
146432-0200	33055
146440-0120	33070
146440-0220	33075
146600-1000	33086
146600-1120	33090
146600-1120S	33091

STAMPING	OUR REF
ZEXEL	
146600-2420	33095
146601-0500	33096
146650-0720	598320
146650-0820	598420
146650-1320	598720
146650-5820	598820
146650-8520	598920
152115-0200	33100
154599-1020	33105
154599-1220	33106
155020-7920	33125
155020-8620	33130
190440-0380	33168
20A	93720
39A	93724
A 10	93010
A 20	93020
A 24	93024
A 26	93026
A 28	93028
A 3	93003
A 32	93032
A 33	93033
A 36	93036
A 40	93040
A 43	93043
A 45	93045
A 49	93049
A 58	93058
A 60	93060
A 61	93061
A 69	93069
A 75	93075
A 80	93080
A 84	93084
A 85	93085
A 86	93086
A 9	93009
A 96	93096
A103	83503X
A115	83515X
A117	83517
A120	83520
A122	83522
A125	83525
A138	83538
A146	83546
A147	83546X
A157	83557
A158	83558
A160	83560
A161	83561
A162	83562
A168	83568
A17	83417
A172	83572
A177	83577
A180	83580
A183	83583
A188	83588
A204	83604
A210	83610
A220	83620



COMPARISON LIST



ZEXEL	
A226	83622
A235	83625
A274	83628
A30	83430
A38	83438
A43	83443X
A44	83444
A52	83452X
A54	83454
A67	83467X
A722	83632X
A74	83474
A75	83475
A758	836348X
A768	836352X
A771	836355X
A78	83478X
A821	836358X
A89	83489
A98	83498X
B 1	83801
K 15	93215
K 20	93220
K15	83636
K199	83639
K4.50	836364
K49	83637
K50.4	836375
P 1	93301
P 13	93313
P 16	93316
P 19	93319
P 20	93320
P 23	93323
P 3	93303
P 4	93304
P 41	93341
P 43	93343
P 44	93344
P 53	93353
P 62	93362
P 71	93371
P 73	93373
P 74	93374
P 77	93377
P 8	93308
P 84	93384
P 85	93385
P 88	93388
P104	83355
P114	83363
P117	83367
P121	83369
P165	83375
P2	83314
P229	83389
P25	83323
P3	83315
P30	83328
P38	83331
P4	83316
P44	83337
P49	83340

P6	83317
P70	83346
P74	83347
P86	83350
P93	83353





BLADES	47	ADESCATORI	43
CALIBRATING INJECTORS	62	ALBERO ACCELERATORE	47
CAM RING	47	ANELLO A CAMME	47
DELIVERY VALVES	26	ANELLO ELLITTICO	47
DIAPHRAGMS	50	BICCHIERINO	44
ELEMENTS	16	BUSSOLE DI ISOLAMENTO TERMICO	11
END PLATE	47	CANDELETTE	37
FEED PUMPS	40	CARBONCINO	47
FILTER DPA	47	CASSETTA ATTREZZATURA POMPA	61
FILTERGLAS	44	DADO DI SERRAGGIO	13
GASKET KITS	51	FILTRO DPA	47
GLOW PLUGS	37	INIETTORI DI PROVA	62
HANDPRIMERS	43	MEMBRANE	50
HEAD & ROTOR	47	MOLLA DI PRESSIONE	13
INJECTOR HEAT SHIELD SLEEVE	11	PARAOILIO	47
INJECTOR THERMAL WASHER	12	PERNI DI PRESSIONE	9
LINER	47	PIASTRA TERMINALE	47
METERING VALVE	48	POMPA PROVA POLVERIZZATORI	58
NOZZLE HOLDER	8	POMPANTI	16
NOZZLE RETAINING NUT	13	POMPE DI ALIMENTAZIONE	40
NOZZLE SHIM SET	60	PORTAINIETTORI	8
NOZZLE SPACER	10	PREFILTRI	44
NOZZLE TESTER	58	ROSETTE DI TENUTA	12
OIL SEAL	47	ROSETTE INTERMEDIE o DISTANZIALI	10
PREFILTERS	44	SERIE GUARNIZIONI	51
PRESSURE SPINDLES	9	SOLENOIDI	34
PRESSURE SPRING	13	SPESSORI DI TARATURA	60
PUMP TOOL KIT	61	TERMOAVVIATORI	36
SOLENOIDS	34	TESTA IDRAULICA	47
THERMOSTARTERS	36	VALVOLA DI DOSAGGIO	48
THROTTLE SHAFT	47	VALVOLE	26



ANILLO DE LEVA	47	BLÄTTER	47
ANILLO DE PROTECCIÓN CONTRA EL CALOR	12	DICHTUNGSSÄTZE	51
ARANDELA DE TOBERA	10	DOSIERVENTIL	48
ARANDELAS DE TARADURA	60	DRUCKBOLZEN	9
BOMBAS DE ALIMENTACIÓN	40	DRUCKFEDER	13
BOMBAS DE MANO	43	DRUCKVENTILE	26
BUJÍAS	37	DÜSENHALTER	8
BUJÍAS DE LLAMA	36	DÜSENPRÜFGERÄT	58
CABEZAL HIDRÁULICO	47	DÜSENSCHEIBE	10
CAJETA DE HERRAMIENTA PARA BOMBAS	61	DÜSENSPANNMUTTER	13
DIAPHRAGMAS	50	EINTELLSSCHEIBEN	60
EJE DE ACCLERADOR	47	ENDPLATTE	47
ELEMENTOS	16	EXZENTERHÜLSE	47
EXCÉNTRICA	47	FEDER	47
FILTRO DPA	47	FILTER DPA	47
INYECTORES DE PRUEBA	62	FILTERGLAS	44
JUEGOS DE REPARACION	51	FLAMM GLÜHKERZEN	36
PALA DE TRASFERENCIA	47	FÖRDERPUMPEN	40
PERNO DE PRESIÓN	9	GLÜHKERZEN	37
PLACA EXTREMO	47	HANDPUMPEN	43
PORTATOBERAS	8	HYDRAULISCHER KOPF UND ROTOR	47
PREFILTROS	44	KIT MIT PUMPENWERKZEUGE	61
PROBADOR DE TOBERAS	58	MAGNETICVENTILE	34
RESORTE DE COMPRESIÓN	13	MEMBRANEN	50
RETÉN	47	NOCKENRING	47
SOLENOIDES	34	PRÜF-DÜSEN	62
TUBO DE PROTECCIÓN CONTRA EL CALOR	11	PUMPENELEMENTE	16
TUERCA DE TENSION DE TOBERA	13	REGLERHEBEL-WELLE	47
VÁLVULA DOSIFICADORA	48	VORREINIGER	44
VALVULAS	26	WÄRMESCHUTZHÜLSE	11
VASO	44	WÄRMESCHUTZSCHEIBE	12



NOTE LEGALI

Tutti i prodotti presenti in questo catalogo sono di produzione Seven Diesel S.p.A.. Nomi, simboli, codici di altri produttori sono riportati per solo riferimento. Tutti gli altri marchi di fabbrica non appartenenti a Seven Diesel S.p.A. sono e rimangono di proprietà dei rispettivi proprietari.

Questo catalogo è protetto dai diritti d'autore, pertanto ogni riproduzione di foto, disegni e quant'altro è vietata. Nessuna parte può essere riprodotta, conservata o trasmessa in alcun modo senza previa autorizzazione di Seven Diesel S.p.A..

Le fotografie e le illustrazioni riportate nel presente catalogo non rispettano necessariamente le reali dimensioni degli articoli che rappresentano e sono puramente indicative.

Seven Diesel S.p.A. si riserva la facoltà di togliere dalla produzione e dal commercio, anche senza preavviso, gli articoli rappresentati nel presente catalogo, per qualsiasi ragione di natura tecnica/commerciale.

Pur garantendo la massima attenzione nel compilare questo catalogo Seven Diesel S.p.A. non risponde di possibili errori o inesattezze.

Il foro competente per qualunque controversia, diretta o indiretta, è quello di Brescia.

LEGAL NOTICE

All parts listed herein are manufactured by Seven Diesel S.p.A.. Other manufacturer's names, symbols, code numbers are quoted for reference purposes only, and do not imply that any part listed in this catalogue is the product of these manufactures. All other trademarks are and remain the property of their respective owners.

This catalogue is protected by copyright, therefore any reproduction of photos, drawings and any element whatsoever are strictly prohibited. No piece of this information may be reproduced, stored in a retrieval system or transmitted in any form or by any means without prior permission of Seven Diesel S.p.A..

The photographs and illustrations in this catalogue do not necessarily respect the real size of articles they represent and are only indicative.

Seven Diesel S.p.A. reserve the right to remove from production and trade, even without notice, the items listed in this catalogue, for whatever reason.

Whilst every care has been taken in compiling the information in this publication Seven Diesel S.p.A. cannot accept legal liability for any inaccuracies.

For any dispute the competent law-court will be the one in Brescia (Italy).



SEVEN DIESEL S.P.A.
VIA XXV APRILE, 53
25038 ROVATO (BRESCIA) ITALY
PHONE +39 030 7721778
FAX +39 030 7722973
WWW.SEVENDIESEL.IT